



Home Sewing Machine

## PARTS REFERENCE LIST

**MODEL: XL5010/5010NTP/5011/5011AV/5011NTC  
5011NTP/5012/5012AV/5012NTP  
5012NTP AV/5020/5020NTP/5021/5021AV  
5021NTC/5021NTP/5022AV/5022NTP  
5022NTP AV/5030/5030NTP/5031/5031AV  
5031NTC/5031NTP/5032/5032AV/5032NTP  
5032NTP AV/5050/5050NTC/5050NTC AV  
5060/5060NTC/5060NTC AV/5070/5070NTC  
5070NTC AV/5130/5232/5300/5340  
5500/5500SE/5500HC/5500NTC AV  
5600/5600HC/5600NTC AV  
5700/5700SE/5700HC/5700NTC AV  
PX100/100HC/100NTC/110NTC/150  
200/200HC/200NTC/220NTC  
300/300HC/300NTC/330NTC  
RS15/20/25/30/35/ML55/65/75/PS21  
PRESTIGE50/100/200/300/XR14/17/21**

MECHANISMS & ELECTRONICS

**CONFIDENTIAL**

Copyright © 2010 Brother Industries, Ltd.  
All rights reserved.

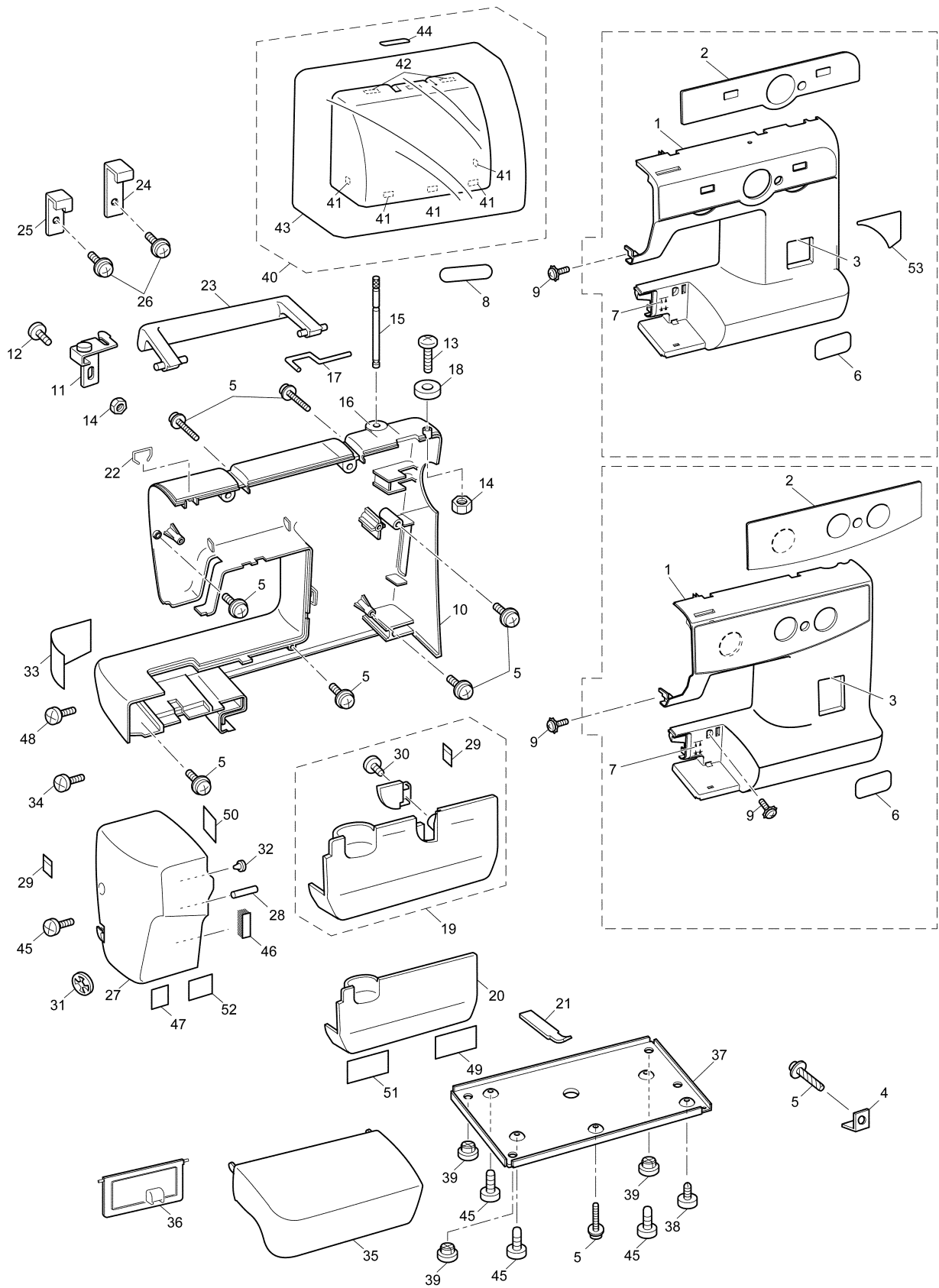
# CONTENTS

(1) PRINCIPAL PARTS (XL Series) .....	2
PRINCIPAL PARTS (PX Series) .....	6
(2) UPPER SHAFT / NEEDLE BAR / THREAD TENSION / PRESSER MECHANISM .....	10
(3) HORIZONTAL FEED / VERTICAL FEED MECHANISM ....	12
(4) FEED ADJUSTMENT MECHANISM .....	14
(5) ROTARY HOOK DRIVE / ROTARY HOOK MECHANISM .....	16
(6) ZIGZAG / BH MECHANISM .....	18
(7) PATTERN SELECTION MECHANISM without BH CONNECTING LINK ASSY .....	20
PATTERN SELECTION MECHANISM with BH CONNECTING LINK ASSY .....	22
(8) BOBBIN WINDER / THREAD GUIDE / LAMP MECHANISM ..	24
(9) MOTOR UNIT .....	26
(10) ATTACHMENTS / PACKING MATERIALS / PRINTED MATTERS ....	30

**Note on parts:**

We keep performance parts for this sewing machine for at least 8 years after this model is discontinued. Performance parts are the necessary parts to maintain the function of the sewing machine.

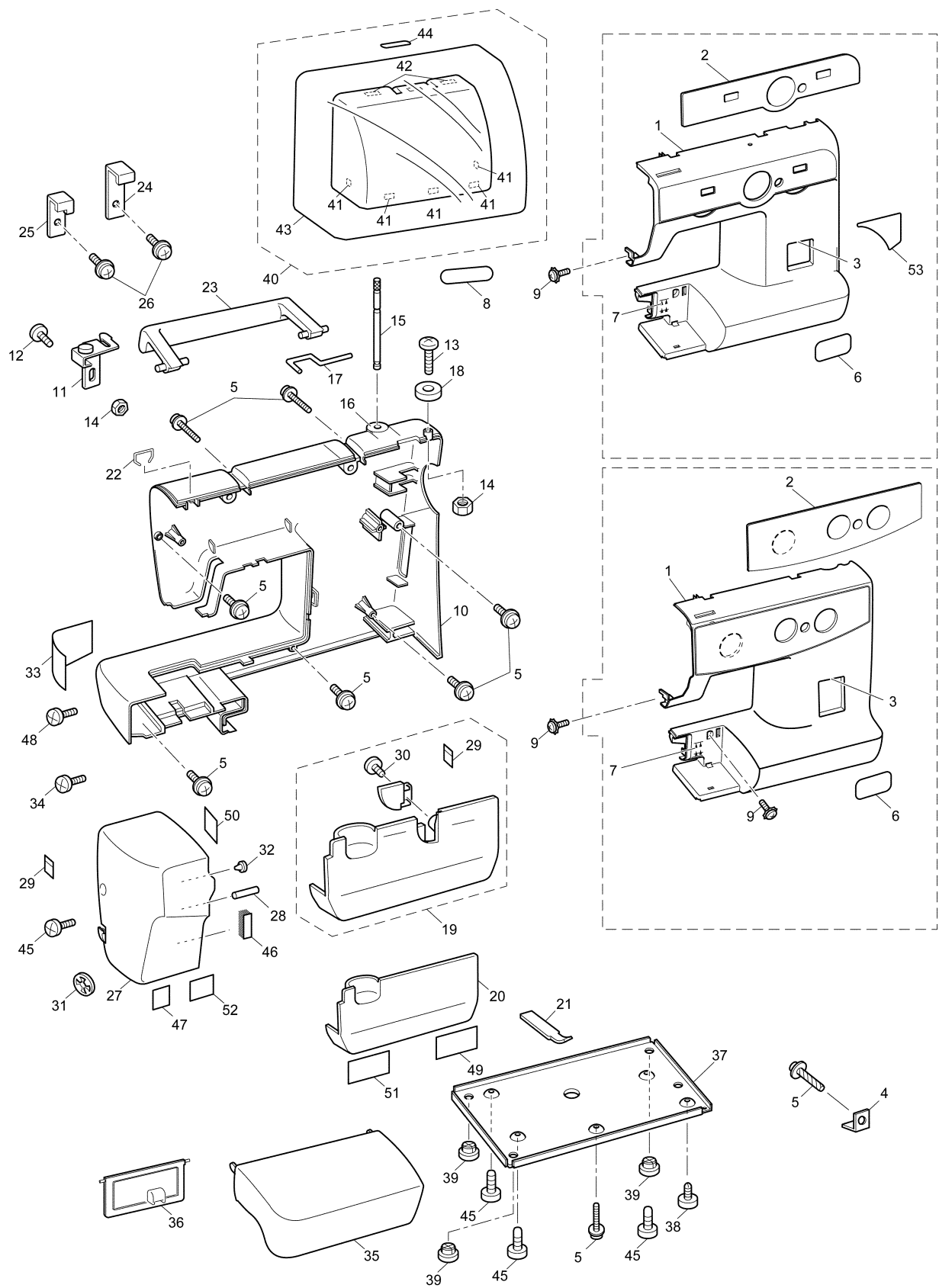
# (1) PRINCIPAL PARTS (XL Series)



## (1) PRINCIPAL PARTS (XL Series)

No.	CODE.	NAME	REMARKS	No.	CODE.	NAME	REMARKS	
1	XA5721021	FRONT COVER (XL5300)			XA6010028	DISPLAY SHEET (XL5021*)		
	XA5721024	FRONT COVER (XL5130)			XA6010029	DISPLAY SHEET (XL5031*)		
	XA5721025	FRONT COVER (XL5232)			XA6010031	DISPLAY SHEET (XL5012*)		
	XA5721026	FRONT COVER (XL5340)			XA6010032	DISPLAY SHEET (XL5032*)		
	XA6009021	FRONT COVER (XL501*)			XA6010033	DISPLAY SHEET (XL5022*)		
	XC7329021	FRONT COVER (XL5500*)			XC7331034	DECORATION PLATE (XL5700SE)	1000003125	
	XC7329022	FRONT COVER (XL5600*)			XC7331039	DECORATION PLATE (RS20)		
	XC7329023	FRONT COVER (XL5700*)			XC7331040	DECORATION PLATE (RS30)		
	XC7329024	FRONT COVER (XL5500SE)			XC7331041	DECORATION PLATE (PRESTIGE50)		
	XC7329025	FRONT COVER (RS15)			XC7331045	DISPLAY SHEET (ML55)	ADD	
	XC7329026	FRONT COVER (RS25)			XC7331046	DISPLAY SHEET (ML65)	ADD	
	XC7329027	FRONT COVER (RS35)			XC7331047	DISPLAY SHEET (ML75)	ADD	
	XC7329028	FRONT COVER (XL5700SE)	1000003125		XC7331048	DECORATION PLATE (PS21)	1000002336	
	XC7329030	FRONT COVER (RS20)			XC7331049	DECORATION PLATE (XR14)	1000016711	
	XC7329031	FRONT COVER (RS30)			XC7331050	DECORATION PLATE (XR17)	1000016712	
	XC7329032	FRONT COVER (PRESTIGE100)			XC7331051	DECORATION PLATE (XR21)	1000016713	
	XC7329033	FRONT COVER (PRESTIGE200)		3	XA4657021	CUSHION (OTHER)		
	XC7329034	FRONT COVER (PRESTIGE300)			XA4657051	CUSHION (XL5130, XL5232: U.S.A., XL5340)		
	XC7329035	FRONT COVER (PS21)	1000002336	4	XA5732021	BOTTOM HOLD PLATE		
	XC7431021	FRONT COVER (XL5050*, XL5060*, XL5070*, ML55, 65, 75)			5	XA3337022	TAPTITE CUP P M4X20	
XC7431023	FRONT COVER (PRESTIGE50)		6	XA5748021	MYLAR STICKER 4STEP (XL5130, XL5500: CANADA)			
XC7431024	FRONT COVER (XR14, 17, 21)	1000016711		XA5749021	MYLAR STICKER 1STEP (XL5232, XL5600, XL5700: CANADA)			
2	XA5739021	DECORATION PLATE (XL5300)		7	XA6583022	DROP MARK (XL5500, XL5600, XL5700: GER, U.K, FRA, SWI, SIN, CHN, MYS, AUS), (RS15, 25), (XL5500SE, 5500HC, 5500NTC AV), (RS20, 30), (XL5600HC, 5600NTC AV), (XL5700SE, 5700HC, 5700NTC AV), (PRESTIGE100, 200, 300)	1000009514	
	XA5739027	DECORATION PLATE (XL5130)			8	XC8623021	QUICK SYSTEM STICKER (RS30, 35)	
	XA5739028	DECORATION PLATE (XL5232)				XC8623022	QUICK SYSTEM STICKER (RS20)	
	XA5739029	DECORATION PLATE (XL5340)		XC8623023		QUICK SYSTEM STICKER (PRESTIGE50, 100, 200, 300)		
	XC7331021	DECORATION PLATE (XL5500, XL5500HC, XL5500NTC AV)		9	053400806	SCREW, PAN (T WASHER) M4X8		
	XC7331022	DECORATION PLATE (XL5600*)			10	XA5723121	REAR COVER (OTHER)	
	XC7331023	DECORATION PLATE (XL5700, XL5700HC, XL5700NTC AV)		XC7333021		REAR COVER (XL5050*, XL5060*, XL5070*, XL5500*, PS21, XL5600*, XL5700*, RS15, 20, 25, 30, 35, ML55, 65, 75, PRESTIGE50, 100, 200, XR14, 17, 21)		
	XC7331025	DECORATION PLATE (XL5060*)		11	XA6106021	THREAD GUIDE ASSY		
	XC7331027	DECORATION PLATE (XL5050*)		12	0A5301006	SCREW, PAN (S/P WASHER) M3X10		
	XC7331028	DECORATION PLATE (XL5070*)		13	052301606	SCREW, PAN (S/P WASHER) M3X16		
	XC7331029	DECORATION PLATE (XL5500SE)		14	021300106	NUT, 1 M3		
	XC7331031	DECORATION PLATE (RS-15)		15	188058121	SPOOL PIN		
	XC7331032	DECORATION PLATE (RS-25)		16	XA4441021	SPOOL PIN STAND		
	XC7331033	DECORATION PLATE (RS-35)						
	XC7331042	DECORATION PLATE (PRESTIGE100)						
	XC7331043	DECORATION PLATE (PRESTIGE200)						
	XC7331044	DECORATION PLATE (PRESTIGE300)						
	XA6010021	DISPLAY SHEET (XL5030*)						
	XA6010022	DISPLAY SHEET (XL5020*)						
	XA6010023	DISPLAY SHEET (XL5010*)						
XA6010027	DISPLAY SHEET (XL5011*)							

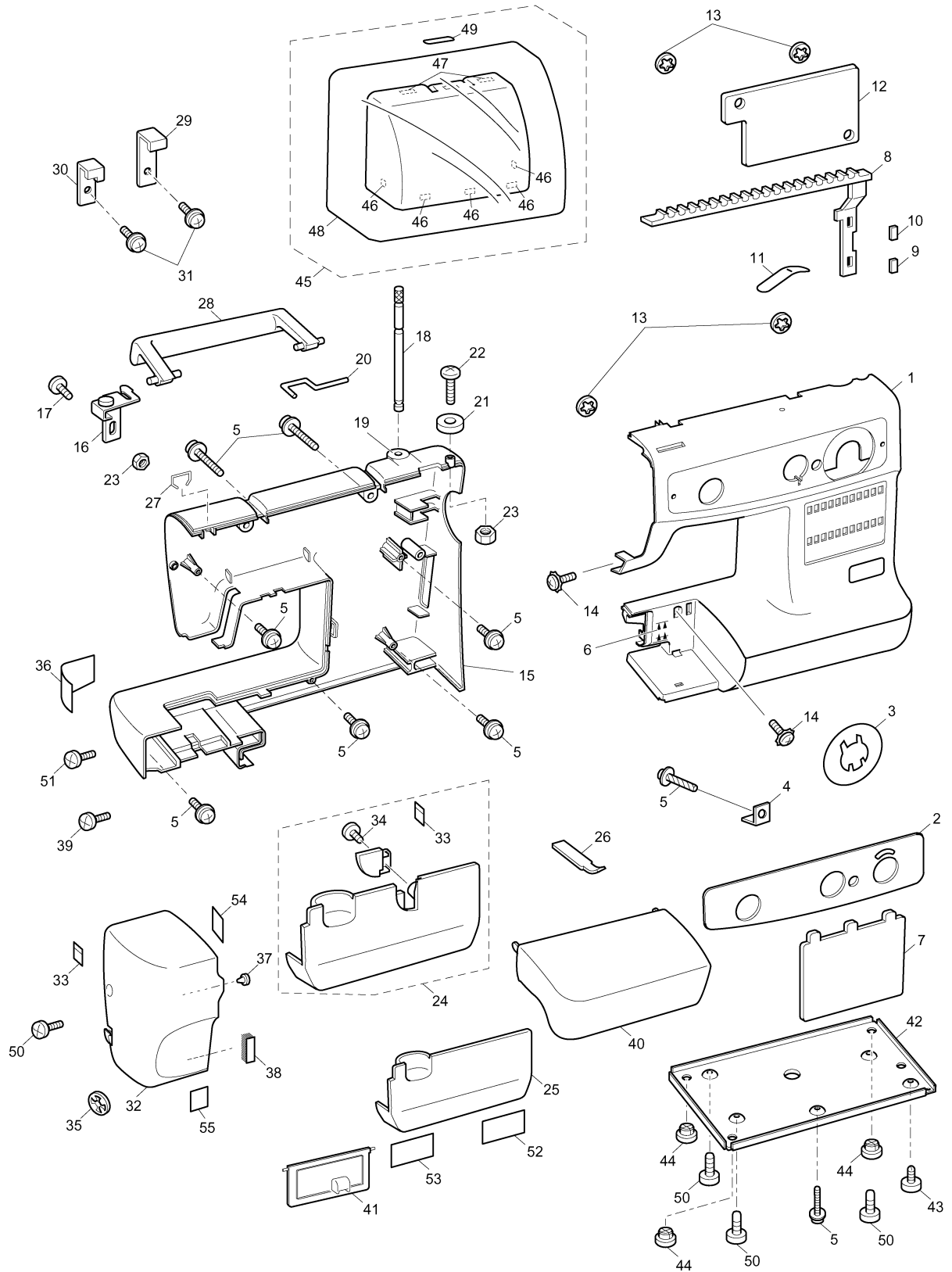
# (1) PRINCIPAL PARTS (XL Series)



## (1) PRINCIPAL PARTS (XL Series)

No.	CODE.	NAME	REMARKS	No.	CODE.	NAME	REMARKS
17	XA0628121	SPOOL PIN SPRING	1000012082	37	XA4569020	BASE PLATE	
18	X59864221	BOBBIN PRESSER	040152	38	XA4687021	ADJUSTING SCREW ASSY	
19	XA5724021	HINGE DOOR ASSY (XL5340)		39	XA1805021	BASE RUBBER A	
	XA5724022	HINGE DOOR ASSY (XL5700*, RS20, RS30, RS35, PS21, PRESTIGE50, 100, 200, 300)		40	XC0425021	MACHINE COVER ASSY (XL5020: KOREA, XL5***HC)	
20	XA5963021	HINGE DOOR (OTHER)		41	125440050	CASE FELT (XL5020: KOREA, XL5***HC)	
20	XA5963022	HINGED DOOR		42	XZ0016050	CASE FELT TOP (XL5020: KOREA, XL5***HC)	
		(XL5050*, XL5060*, XL5070*, XL5500*, XL5600*, RS15, RS25, ML55, 65, 75, PRESTIGE100, 200, 300, XR14, 17, 21)		43	X60678051	BAG 700X630H (XL5020/5500/5600/5700: KOREA, XL5***HC)	1000013225
21	X53638121	SPRING		44	XA3028021	DECORATION PLATE (XL5020: KOREA, XL5***HC)	
22	X53625121	UPPER COVER THREAD GUIDE		45	060400816	SCREW, BIND M4X8	
23	XA5726121	HANDLE (OTHER)		46	XA6661021	PILE	
	XA5726122	HANDLE (XL5050*, XL5060*, XL5070*, XL5500*, PS21, XL5600*, XL5700*, RS15, 20, 25, 30, 35, ML55, 65, 75, PRESTIGE50, 100, 200, 300, XR14, 17, 21)		47	XC4167021	CAUTION STICKER (KOREA)	
24	XA8476020	HANDLE HOLDER XR		48	138172021	SCREW, PAN (S/P WASHER) M4X10 (OTHER)	
25	XA8477020	HANDLE HOLD R XL			138172051	SCREW, PAN (S/P WASHER) M4X10 (XL5500SE)	
26	XA3337022	TAPTITE, CUP P M4X20		49	XA2107221	LABEL (XL5500, XL5700: U.S.A., CAN, CHILE) (XL5232), (XL5600: U.S.A., CAN), (XL5340), (XL5300), (XL5130)	
27	XA5728121	FACE PLATE (OTHER)		50	125782021	SEW-LIGHT RATING STICKER (XL5500, XL5600, XL5700: U.S.A., CAN, ARG, PRY), (XL5130), (XL5232), (XL5300), (XL5340)	
27	XC7336021	FACE PLATE		51	X56455021	HINGE DOOR LABEL (XL501*, XL5050*, XL502*, XL5060*, XL503*, XL5070*: U.K.), (XL5130), (XL5232), (XL5340), (XL5500*, XL5600*, XL5700*: U.S.A., CAN, U.K.)	
		(XL5050*, XL5060*, XL5070*, XL5500*, PS21, XL5600*, XL5700*, RS15, 20, 25, 30, 35, ML55, 65, 75, PRESTIGE50, 100, 200, 300, XR14, 17, 21)		52	XC3372021	UPPER THREADING LABEL (XL501*, XL502*, XL503*: U.K.)	
28	0A0211850	PIN SPRING ROLL BW2			XC6750021	UPPER THREADING LABEL (XL5050*, XL5060*, XL5070*, XL5500*, XL5600*, XL5700*: U.K.)	
29	X80321021	NT LOWER THREAD CUTTER		53	XE7739001	DECORATION PLATE B (XR14)	1000016711
30	136681021	TAPTITE, BIND B M3X8 (XL5340, XL5700*, RS35, PRESTIGE100, 200, 300)			XE7738001	DECORATION PLATE B (XR17)	1000016712
31	138384021	RETAINING RING, CS5			XE7769001	DECORATION PLATE B (XR21)	1000016713
32	X51895021	FACE PLATE BUSH					
33	XA4468021	REAR COVER REFLECTOR					
34	060401416	SCREW, BIND M4X14					
35	XA5730021	ACCESSORY TABLE (OTHER)					
	XA5730024	ACCESSORY TABLE (XL5050*, XL5060*, XL5070*, XL5500*, XL5600*, XL5700*, RS15, 20, 25, 30, 35, ML55, 65, 75, PRESTIGE50, 100, 200, 300, XR14, 17, 21)					
36	XA5731221	ACCESSORY TABLE COVER (OTHER)					
36	XA5731222	ACCESSORY TABLE COVER					
		(XL5050*, XL5060*, XL5070*, XL5500*, XL5600*, XL5700*, RS15, 20, 25, 30, 35, ML55, 65, 75, PRESTIGE50, 100, 200, 300, XR14, 17, 21)					

# (1) PRINCIPAL PARTS (PX Series)

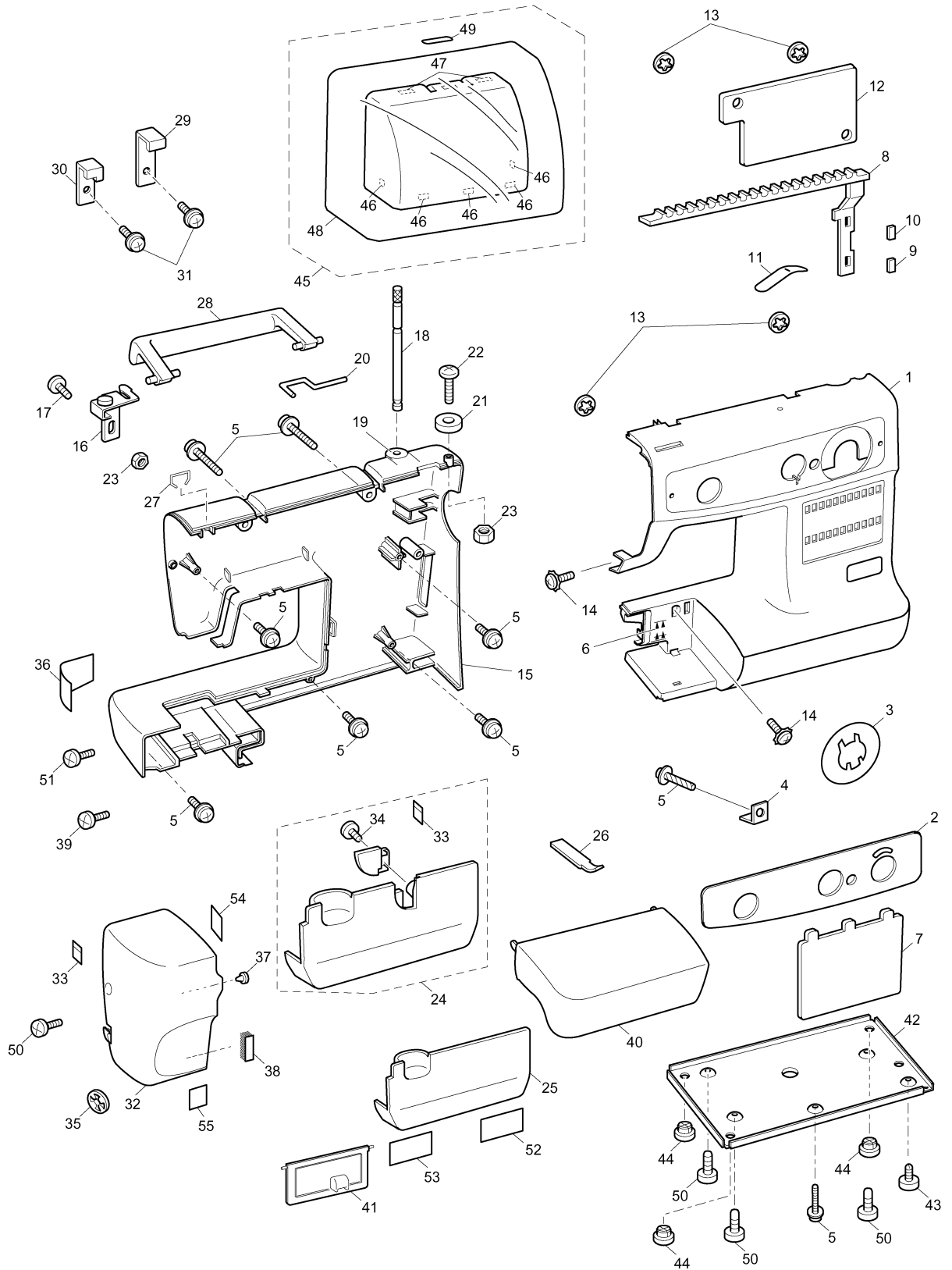


## (1) PRINCIPAL PARTS (PX Series)

No.	CODE.	NAME	REMARKS	No.	CODE.	NAME	REMARKS
1	XA6356021	FRONT COVER (PX200, PX200NTC, PX200HC, PX220NTC, PX300, PX300HC, PX300NTC, PX330NTC)			XA6394023	PATTERN DECORATION PLATE (PX100: ARGENTINE, CHILE, MEXICO)	
	XA6393021	FRONT COVER (PX100, PX100HC, PX100NTC, PX110NTC, PX150)			XA6394025	PATTERN DECORATION PLATE (PX100NTC, PX110NTC, PX150)	
2	XA6357021	PANEL DECORATION PLATE (PX300)		8	XA6360021	PATTERN DISPLAY RACK	
	XA6357023	PANEL DECORATION PLATE (PX200, except PX200: U.S.A.)		9	XA6361021	DISPLAY PLATE	
	XA6357024	PANEL DECORATION PLATE (PX100)		10	XA6361022	DISPLAY PLATE	
	XA6357026	PANEL DECORATION PLATE (PX200: U.S.A.)		11	XA6362020	SPRING	
	XA6357031	PANEL DECORATION PLATE (PX100NTC)		12	XA6363021	DISPLAY REAR PLATE	
	XA6357032	PANEL DECORATION PLATE (PX200NTC)		13	146200021	RETAINING RING, CS4	050186
	XA6357033	PANEL DECORATION PLATE (PX300NTC)		14	053400806	SCREW, PAN (T WASHER) M4X8	
	XA6357034	PANEL DECORATION PLATE (PX330NTC)		15	XA5723121	REAR COVER	
	XA6357035	PANEL DECORATION PLATE (PX150)		16	XA6106021	THREAD GUIDE ASSY	040161
	XA6357036	PANEL DECORATION PLATE (PX110NTC)		17	0A5301006	SCREW, PAN (S/P WASHER) M3X10	
	XA6357037	PANEL DECORATION PLATE (PX220NTC)		18	188058121	SPOOL PIN	
	3	XA6358021	F PATTERN INDICATOR PLATE		19	XA4441021	SPOOL PIN STAND
4	XA5732021	BOTTOM HOLD PLATE		20	XA0628021	SPOOL PIN SPRING	
5	XA3337022	TAPTITE CUP P M4X20		21	X59864221	BOBBIN PRESSER	040152
6	XA6583021	DROP MARK		22	052301606	SCREW, PAN (S/P WASHER) M3X16	
7	XA6359021	PATTERN DECORATION PLATE (PX300)		23	021300106	NUT, 1 M3	
	XA6359023	PATTERN DECORATION PLATE (PX300: ARGENTINE, CHILE, MEXICO)		24	XA5724021	HINGE DOOR ASSY	
	XA6359025	PATTERN DECORATION PLATE (PX300NTC, PX330NTC)		25	XA5963021	HINGE DOOR	
	XA6392021	PATTERN DECORATION PLATE (PX200)		26	X53638121	SPRING	
	XA6392022	PATTERN DECORATION PLATE (PX200: U.S.A.)		27	X53625121	UPPER COVER THREAD GUIDE	
	XA6392023	PATTERN DECORATION PLATE (PX200: ARGENTINE, CHILE, MEXICO)		28	XA5726121	HANDLE	
	XA6392025	PATTERN DECORATION PLATE (PX200NTC, PX220NTC)		29	XA8476020	HANDLE HOLDER XR	
	XA6394021	PATTERN DECORATION PLATE		30	XA8477020	HANDLE HOLDER XL	
			31	XA3337022	TAPTITE, CUP P M4X20		
			32	XA6365121	FACE PLATE		
			33	X80321021	NT LOWER THREAD CUTTER		
			34	136681021	TAPTITE, BIND B M3X8		
			35	138384021	RETAINING RING, CS5		
			36	XA4468021	REAR COVER REFLECTOR		
			37	X51895021	FACE PLATE BUSH		
			38	X52654001	PILE 19X5X6	1000014431	
			39	060401416	SCREW, BIND M4X14		
			40	XA5730022	ACCESSORY TABLE		
			41	XA5731221	ACCESSORY TABLE COVER		
			42	XA4569020	BASE PLATE		
			43	XA4687021	ADJUSTING SCREW ASSY		
			44	XA1805021	BASE RUBBER A		
			45	XC0425021	MACHINE COVER ASSEMBLY (PX100HC), (PX100: KOREA) (PX200HC), (PX200: KOREA, IRAQ) (PX300HC), (PX300: IRAQ)		



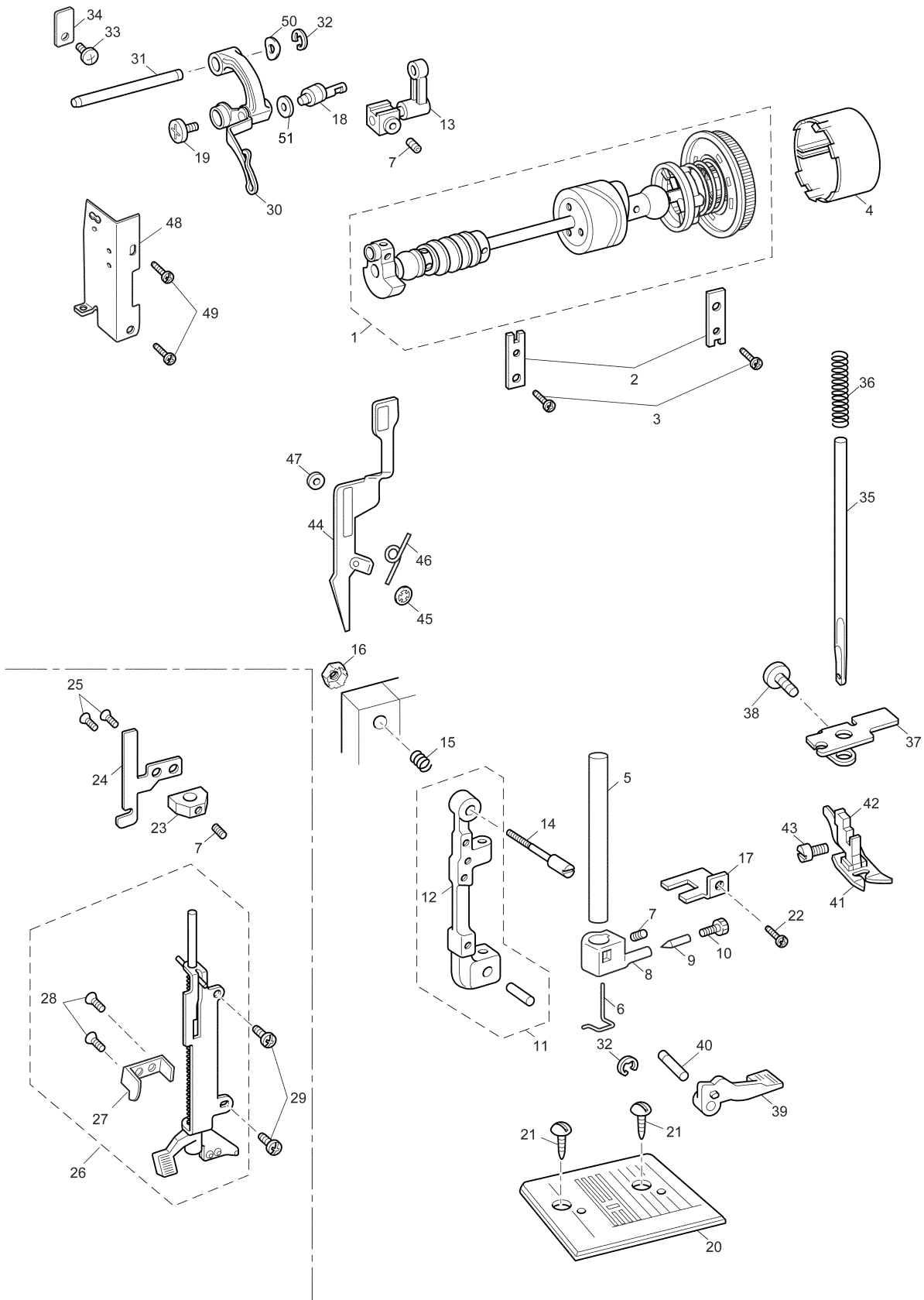
# (1) PRINCIPAL PARTS (PX Series)



**(1) PRINCIPAL PARTS (PX Series)**

<b>No.</b>	<b>CODE.</b>	<b>NAME</b>	<b>REMARKS</b>
46	125440050	CASE FELT (PX100HC), (PX100: KOREA) (PX200HC), (PX200: KOREA, IRAQ) (PX300HC), (PX300: IRAQ)	
47	XZ0016050	CASE FELT TOP (PX100HC), (PX100: KOREA) (PX200HC), (PX200: KOREA, IRAQ) (PX300HC), (PX300: IRAQ)	
48	X60678051	BAG 700X630H (PX100HC), (PX100: KOREA) (PX200HC), (PX200: KOREA, IRAQ) (PX300HC), (PX300: IRAQ)	1000013225
49	XA3028021	DECORATION PLATE (PX100HC), (PX100: KOREA) (PX200HC), (PX200: KOREA, IRAQ) (PX300HC), (PX300: IRAQ)	
50	060400816	SCREW, BIND M4X8	
51	138172021	SCREW, PAN (S/P WASHER) M4X10	
	138172051	SCREW, PAN (S/P WASHER) M4X10 (PX220NTC)	
52	XA2107221	LABEL (PX100, PX200, PX300: U.S.A.)	
53	X56455021	HINGE DOOR LABEL (PX100, PX200, PX300: U.S.A.)	
54	125782021	SEW-LIGHT RATING STICKER (PX100, PX200, PX300: U.S.A.)	
55	XC4167021	CAUTION STICKER (KOREA)	

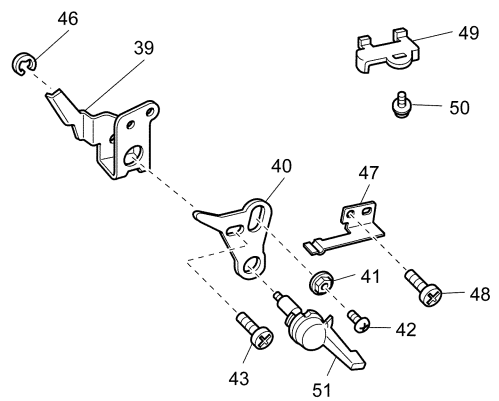
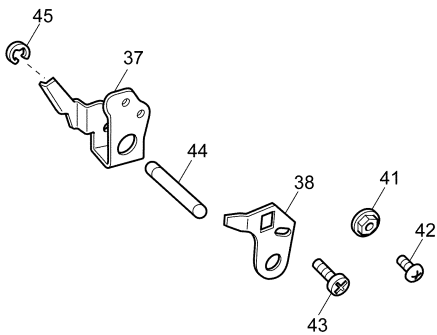
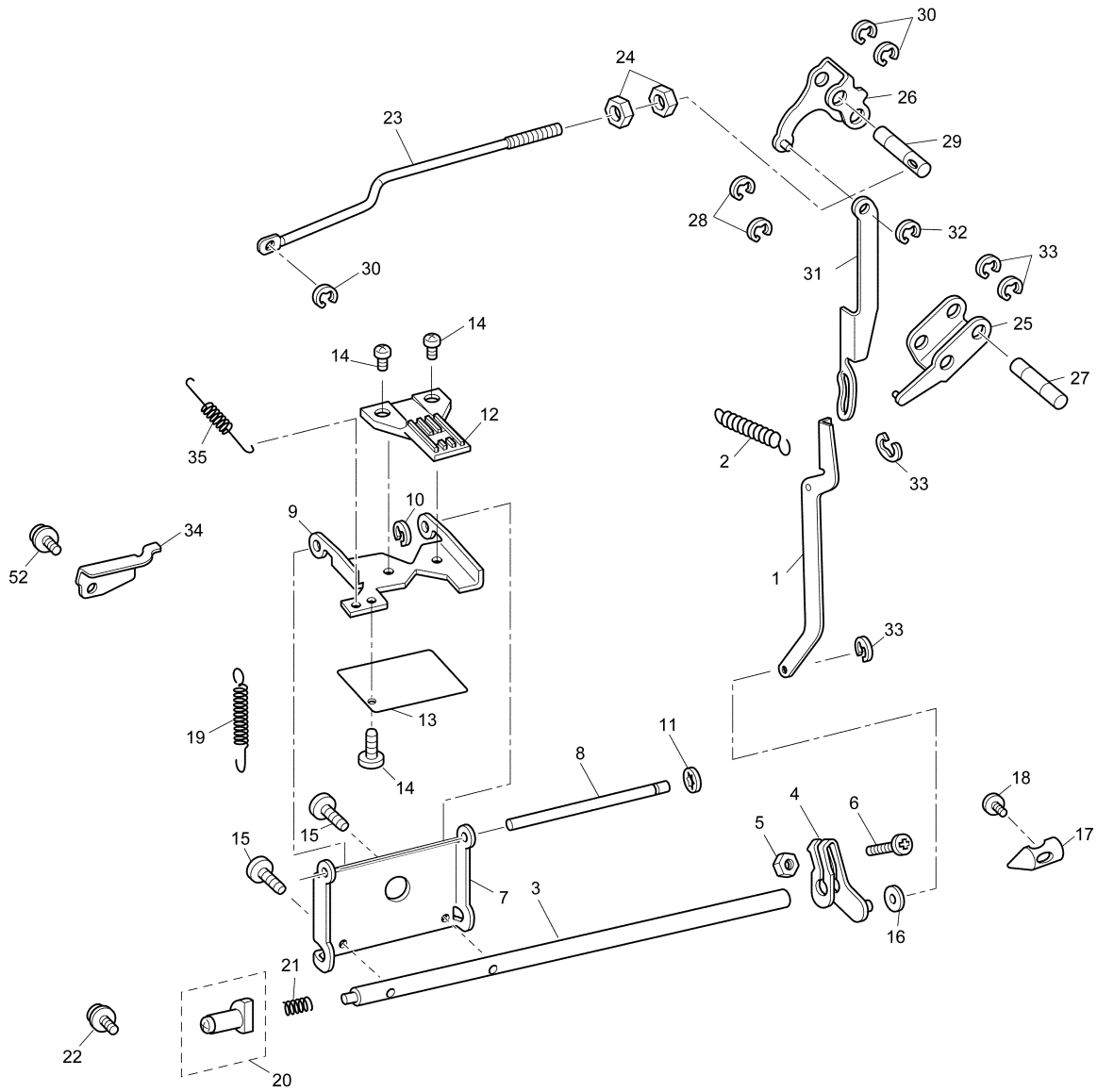
## (2) UPPER SHAFT / NEEDLE BAR / THREAD TENSION / PRESSER MECHANISM



## (2) UPPER SHAFT / NEEDLE BAR / THREAD TENSION / PRESSER MECHANISM

No.	CODE.	NAME	REMARKS	No.	CODE.	NAME	REMARKS
UPPER SHAFT MECHANISM				PRESSER MECHANISM			
1	XE3696001	UPPER SHAFT SUPPLY ASSY	1000006160	35	XA2402050	PRESSER BAR	
2	X52478021	BUSHING PRESSER			XA2402020	PRESSER BAR (XL5050NTC, XL5060NTC, XL5070NTC), (XL5500: U.S.A., CAN, CHILE, MYS, AUS, ARG, PRY, GUF, Latin America (2&5)), (XL5500SE), (XL5600: U.S.A., CAN), (XL5***NTC AV), (XL5700**), (PS21), (RS20, 30), (PRESTIGE50, 100, 200, 300)	
3	X57908021	TAPTITE, BIND S M4X10			128437020	PRESSER BAR (XL5010), (XL5011, 5011AV), (XL5012, 5012AV), (XL5020), (XL5021, 5021AV), (XL5022AV), (XL5030), (XL5031, 5031AV), (XL5032, 5032AV), (PX100, 200), (XL5050), (XL5060), (XL5070), (RS15, 25), (XL5500, XL5600: GER, U.K., FRA), (XL5500HC, 5600HC), (ML55), (ML65), (ML75) (XR14, 17, 21)	040158
4	XA8378021	PULLEY					
	XA8378022	PULLEY (XL5050*, XL5060*, XL5070*, XL5500*, PS21, XL5600*, XL5700*, RS15, 20, 25, 30, 35, ML55, 65, 75, PRESTIGE50, 100, 200, 300, XR14, 17, 21)					
NEEDLE BAR MECHANISM							
5	XA2358121	NEEDLE BAR		36	X55770021	PRESSER BAR SPRING	
6	XZ0005020	NEEDLE BAR THREAD GUIDE		37	XA3955121	PRESSER BAR BRACKET	
7	012400432	SET SCREW, SOCKET (FT) M4X4		38	X52760021	SET SCREW, PAN M6X12	
8	XZ0001121	NEEDLE CLAMP		39	XA2511121	PRESSER FOOT LIFTER	
9	XA5718121	NEEDLE CLAMP PIN	040212	40	XA0977120	PRESSER FOOT LIFTER STUD	
10	XZ0002021	NEEDLE CLAMP SCREW		41	138135122	ZIGZAG PRESSER FOOT	
11	XA8379021	NEEDLE BAR SUPPORTER ASSY		42	138134021	PRESSER FOOT HOLDER	
12	XA3952220	NEEDLE BAR SUPPORTER		43	132730122	TIGHTENING SCREW 3.57	
13	XA1289121	NEEDLE BAR CRANK ROD ASSY		44	XA5796021	TENSION RELEASER C	
14	XA3477021	NEEDLE BAR SUPPORTER STUD		45	120454021	RETAINING RING, CS3	
15	X54369021	SPRING		46	XA5797021	SPRING	
16	X56851021	LOCK NUT		47	025030236	WASHER, PLAIN M3	
17	XA8380021	NEEDLE BAR SUPPORTER GUIDE		48	XA5737021	BH LEVER SET PLATE (except XL5600HC, 5700HC, PRESTIGE200, 300)	
18	X59115321	NEEDLE BAR CRANK	1000001816	49	X57908021	TAPTITE, BIND S M4X10 (except XL5600HC, 5700HC, PRESTIGE200, 300)	
19	132051022	SCREW, FLAT SM3.57-40X7 L		50	XA1866021	WASHER, SPRING	060111
20	XA3954121	ZIGZAG NEEDLE PLATE	1000011532	51	X53330020	WASHER	1000007047
21	X50487021	SCREW M4	1000010447				
22	X57908021	TAPTITE, BIND S M4X10 (except XL5500HC, 5600HC)					
23	XA2367020	NEEDLE THREADER SET COLLAR					
24	XA0430021	NEEDLE THREADER SET PLATE					
25	004260405	SCREW, FLAT M2.6X4					
26	XA5535021	NEEDLE THREADER SUPPORTER ASSY					
27	XA0445251	THREADER HOOK ASSEMBLY	060001				
28	037200516	TAPPING SCREW, PAN V M2X5	040207				
29	060400616	SCREW, BIND M4X6					
THREAD TENSION MECHANISM							
30	XA4747021	THREAD TAKE-UP LEVER ASSY					
31	XA4585021	THREAD TAKE-UP LEVER SHAFT					
32	048050343	RETAINING RING, E5	1000001451				
33	X57913021	TAPTITE, BIND S M4X16					
34	X50532021	PRESSER PLATE					

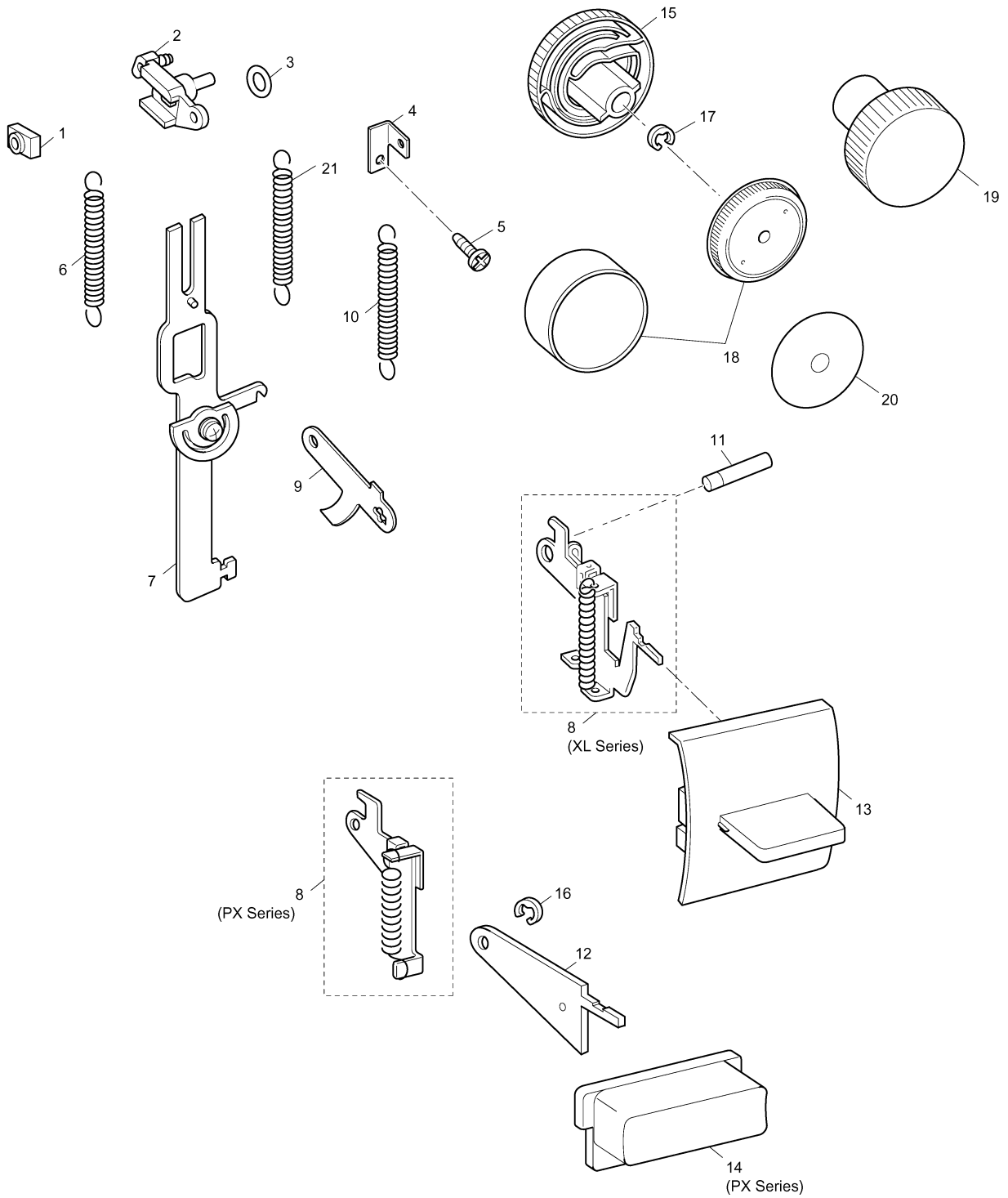
### (3) HORIZONTAL FEED / VERTICAL FEED MECHANISM



### (3) HORIZONTAL FEED / VERTICAL FEED MECHANISM

No.	CODE.	NAME	REMARKS	No.	CODE.	NAME	REMARKS
HORIZONTAL FEED MECHANISM				VERTICAL FEED MECHANISM			
1	XA0978021	FEED CONNECTING ROD ASSY		37	XA3480021	VERTICAL FEED ARM (XL501*), (XL5050*), (XL502*), (XL503*), (XL5070*), (XL5130), (XL5232), (XL5340), (XL5500, XL5700: U.S.A., CAN, CHL, ARG, PRY, GUF, Latin America (2&5)) (XL5300), (XL5600: U.S.A., CAN), (ML55, 65, 75), (PS21), (PRESTIGE50) (XR14, 17, 21)	
2	XA0980021	SPRING		38	XA3481021	VERTICAL FEED ADJUSTER	
3	XA3958020	HORIZONTAL FEED SHAFT		39	XA1504021	VERTICAL FEED SHAFT ARM (XL5500, XL5600, XL5700: GER, U.K., FRA, SWI, MYS, AUS), (XL5500SE), (XL5500NTC AV), (XL5500HC), (XL5600NTC AV), (XL5600HC), (XL5700SE), (XL5700NTC AV), (XL5700HC), (RS15, 20, 25, 30, 35), (PX100*), (PX110NTC), (PX150), (PX200*), (PX220NTC), (PX300*), (PX330NTC), (PRESTIGE100, 200, 300)	1000003701
4	XA0983121	HORIZONTAL FEED ARM ASSY		40	XA1660021	VERTICAL ADJUSTING	
5	021400205	NUT, 2 M4		41	X50559020	ZIGZAG ADJUSTING NUT	
6	060401416	SCREW, BIND M4X14		42	062300806	SCREW, PAN M3X8	
7	XA0987021	HORIZONTAL FEED PLATE		43	060400516	SCREW, BIND M4X5	
8	XA0988021	FEED STAND SHAFT		44	XA0995121	VERTICAL FEED SHAFT	
9	XA3960021	FEED STAND		45	048060343	RETAINING RING, E6	1000001451
10	048030343	RETAINING RING, E3	1000001451	46	048030343	RETAINING RING, E3	1000001451
11	146200021	RETAINING RING, CS4	050186	47	XA1659021	NOTCH SPRING	
12	XA4430021	FEED DOG		48	X57908021	TAPTITE, BIND S M4X10	
13	XA3474021	DUST PROTECT PLATE		49	XA2338021	DROP STOPPER	
14	060300416	SCREW, BIND M3X4		50	XC7568051	SCREW, PAN (S/P WASHER) M4X14	1000000866
15	060400816	SCREW, BIND M4X8	1000017555	51	XA1505021	DROP LEVER (OTHER)	
16	X53330020	WASHER			XA1505051	DROP LEVER (XL5700: GER, U.K, FRA), (RS35)	
17	XA1082021	TAPER POINT STUD R (XL5050*, XL5060*, XL5070*, XL5500*, PS21, XL5600*, XL5700*, RS15, 20, 25, 30, 35, ML55, 65, 75, PRESTIGE50, XR14, 17, 21)		52	138172021	SCREW, PAN (S/P WASHER) M4X10	1000017555
	XA1082051	TAPER POINT STUD R (OTHER)					
18	XZ0074021	TAPTITE, CUP S4X16					
19	XA0991021	SPRING					
20	X55472021	TAPER POINT STUD L ASSY					
21	X56613021	SPRING					
22	XA0649021	TAPTITE, CUP S4X14					
23	XA3962021	SS CONNECTING ROD					
24	X56960021	NUT 4					
25	XA3082121	SS CHANGE LEVER SUB ASSY					
26	XA3085021	SS FEED LEVER ASSY					
27	XA3087021	SS FEED LEVER SHAFT					
28	048050343	RETAINING RING, E5	1000001451				
29	XA3080121	SS ADJUSTING SHAFT					
30	048040343	RETAINING RING, E4	1000001451				
31	XA3088021	SS FEED ROD					
32	048030343	RETAINING RING, E3	1000001451				
33	048050343	RETAINING RING, E5	1000001451				
34	XA4042120	FEED STAND SUPPORT					
35	XA4692021	SPRING					
36	<del>025040133</del>	WASHER, PLAIN S4	1000017555				

## (4) FEED ADJUSTMENT MECHANISM

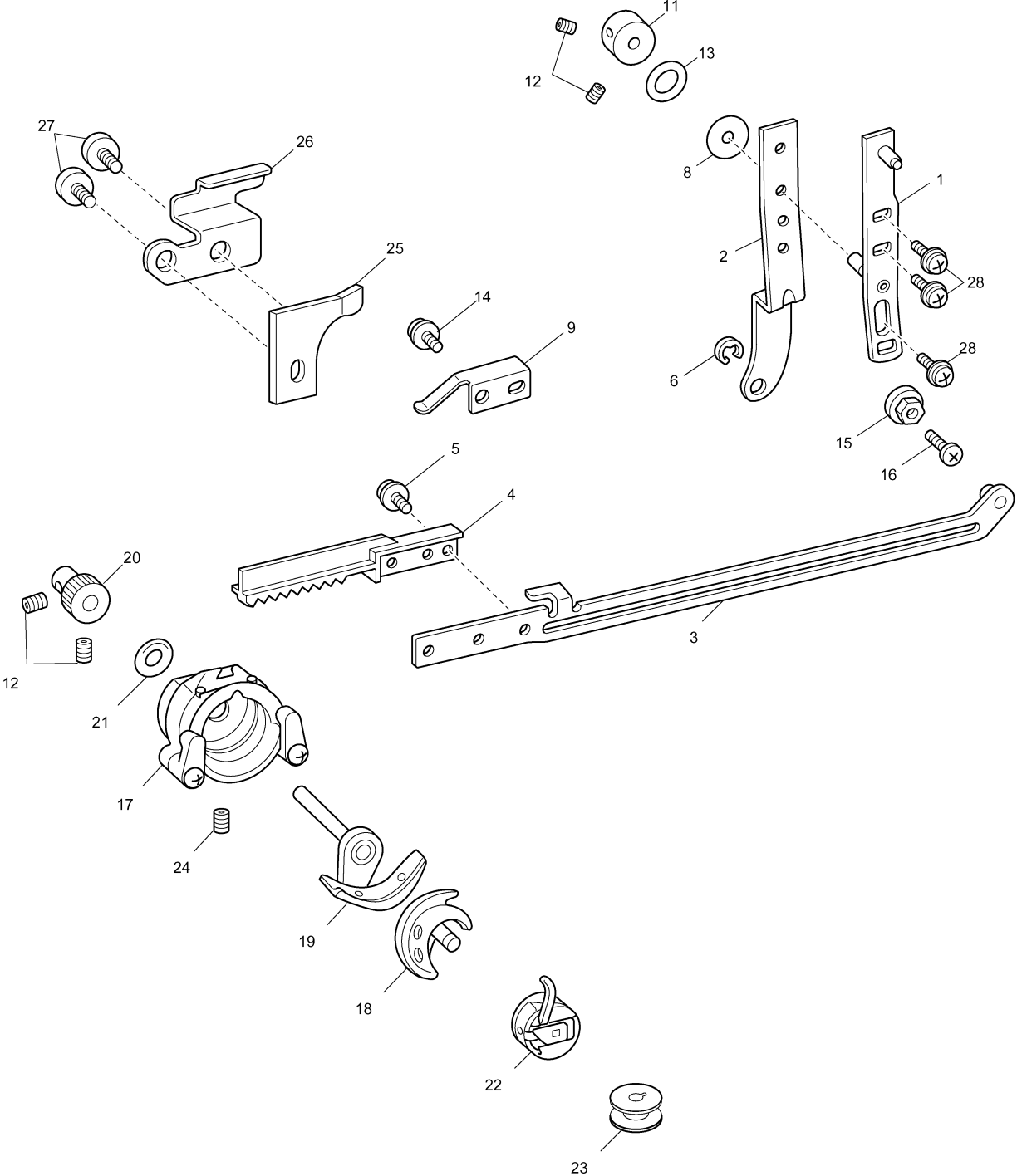


## (4) FEED ADJUSTMENT MECHANISM

No.	CODE.	NAME	REMARKS	No.	CODE.	NAME	REMARKS
1	XA0030021	FEED SQUARE BLOCK		20	XA5735033	DIAL SHEET (XL5032*)	
2	XA3089051	FEED REGULATOR ASSY (OTHER)			XA5735034	DIAL SHEET (XL5022*)	
	XA3089021	FEED REGULATOR ASSY (XL5050*, XL5060*, XL5070*, XL5500*, XL5600*, XL5700*), (RS15, 20, 25, 30, 35), (ML55, 65, 75), (PS21), (PRESTIGE50, 100, 200, 300, XR14, 17, 21)			XC7370021	DIAL SHEET (XL5500, 5500HC, 5500NTC AV)	
3	X53330020	WASHER			XC7370023	DIAL SHEET (XL5600*)	
4	XA4534021	STOP PLATE L			XC7370025	DIAL SHEET (XL5700, 5700HC, 5700NTC AV)	
5	X57913021	TAPTITE, BIND S M4X16			XC7370029	DIAL SHEET (XL5050*)	
6	XA0998021	SPRING			XC7370028	DIAL SHEET (XL5060*)	
7	XA3092021	FEED REGULATOR PLATE ASSY			XC7370030	DIAL SHEET (XL5070*)	
8	XA4343021	REVERSE SEWING LEVER ASSY (XL Series)			XC7370031	DIAL SHEET (XL5500SE)	
	XA6366021	REVERSE SEWING LEVER (PX Series)			XC7370034	DIAL SHEET (RS-15)	
9	XA4532121	REVERSE SEWING LEVER PLATE A			XC7370036	DIAL SHEET (RS-20, 25)	
10	XA4675021	SPRING			XC7370038	DIAL SHEET (RS-30, 35)	
11	XA1004120	REVERSE SEWING SHAFT			<del>XC7370051</del>	DIAL SHEET (ML55)	1000017247
12	XA6582021	REVERSE BUTTON HOLDER			<del>XC7370052</del>	DIAL SHEET (ML65)	1000017247
13	XA5733021	FEED REGULATING LEVER KNOB (OTHER)			<del>XC7370053</del>	DIAL SHEET (ML75)	1000017247
	XC7338021	FEED REGULATING LEVER KNOB (XL5050*, XL5060*, XL5070*, XL5500*, XL5600*, XL5700*), (RS15, 20, 25, 30, 35), (ML55, 65, 75), (PS21), (PRESTIGE50, 100, 200, 300) (XR14, 17, 21)			XC7370040	DIAL SHEET (XL5700SE, PS21)	ADD
14	XA6369021	REVERSE SEWING BUTTON (PX Series)			XC7370044	DIAL SHEET (PRESTIGE50)	
15	XA6015021	FEED REGULATOR CAM			XC7370045	DIAL SHEET (PRESTIGE100)	
16	048040346	RETAINING RING, E4			XC7370047	DIAL SHEET (PRESTIGE200)	
17	048050346	RETAINING RING, E5			XC7370049	DIAL SHEET (PRESTIGE300)	
18	XA5734021	MANUAL DIAL (OTHER)			XC7370054	DIAL SHEET (ML55, XR14)	1000017247
	XC7339121	MANUAL DIAL (XL5050*, XL5060*, XL5070*, XL5500*, XL5600*, XL5700*), (RS15, 20, 25, 30, 35), (ML55, 65, 75), (PS21), (PRESTIGE50, 100, 200, 300) (XR14, 17, 21)			XC7370056	DIAL SHEET (ML65, XR17)	1000017247
19	XA6370021	FEED DIAL (PX Series)			XC7370055	DIAL SHEET (ML75, XR21)	1000017247
	XA6370022	FEED DIAL (PX300NTC)		21	XA3099021	SPRING	
	XA6370023	FEED DIAL (PX100NTC)					
	XA6370024	FEED DIAL (PX200NTC)					
20	XA5735021	DIAL SHEET (XL5340, XL5300, XL5030*)					
	XA5735024	DIAL SHEET (XL5020*, XL5232)					
	XA5735025	DIAL SHEET (XL5010*, XL5130)					
	XA5735028	DIAL SHEET (XL5011*)					
	XA5735029	DIAL SHEET (XL5021*)					
	XA5735030	DIAL SHEET (XL5031*)					
	XA5735032	DIAL SHEET (XL5012*)					



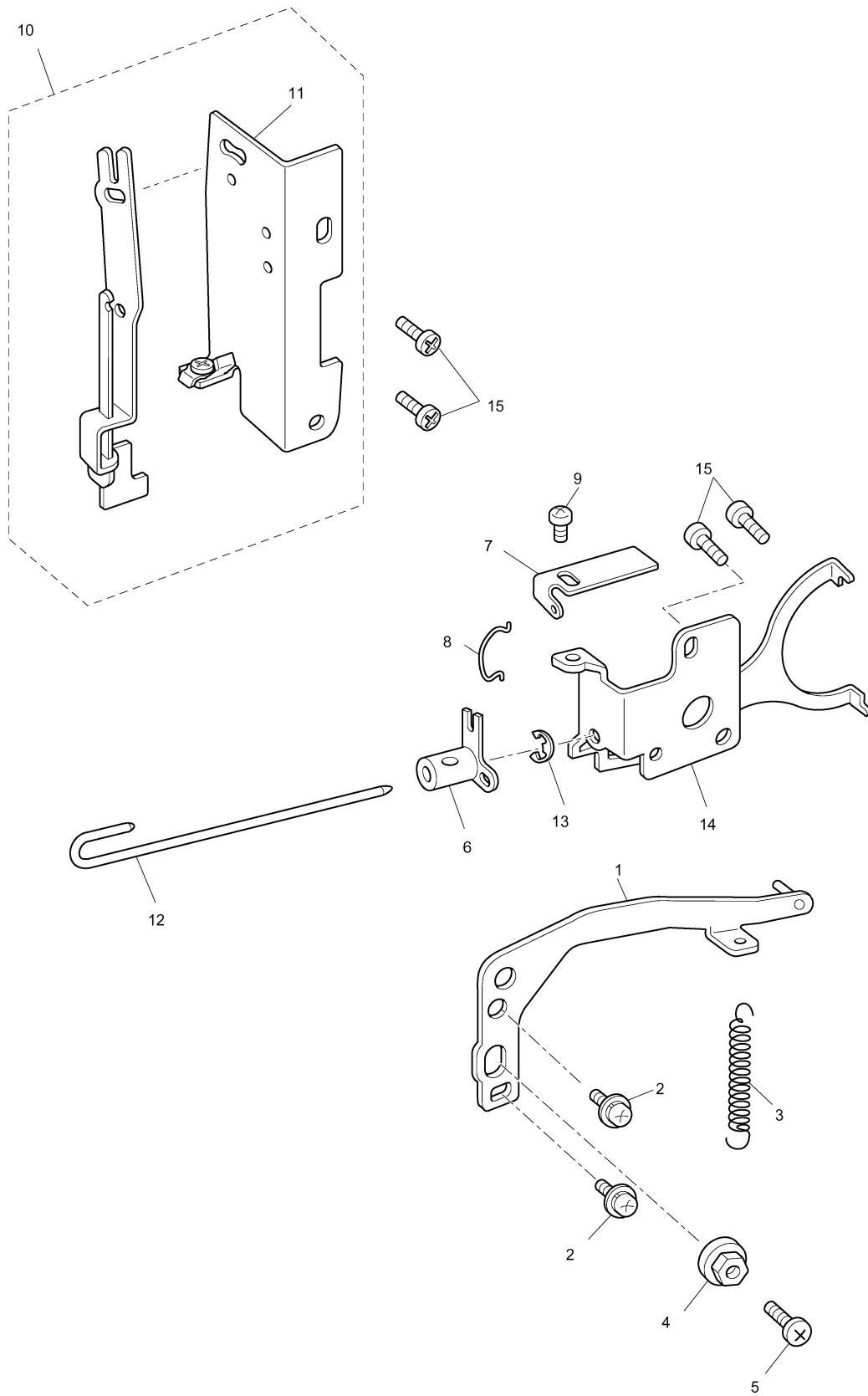
# (5) ROTARY HOOK DRIVE / ROTARY HOOK MECHANISM



## (5) ROTARY HOOK DRIVE / ROTARY HOOK MECHANISM

No.	CODE.	NAME	REMARKS	No.	CODE.	NAME	REMARKS
ROTARY HOOK DRIVE MECHANISM				ROTARY HOOK MECHANISM			
1	XA4693121	CAM DRIVE CONNECTING ROD A		17	XA1317021	SHUTTLE RACE ASSEMBLY	1000014659
2	XA1012221	CAM DRIVE CONNECTING ROD B		18	128581021	SHUTTLE HOOK	1000014659
3	XA3969021	CONNECTING ROD C ASSY		19	XA1021021	SHUTTLE DRIVE ASSY	
4	XA1017120	RACK		20	XA1025021	DRIVER SHAFT GEAR	
5	XC7564021	SCREW PAN (S/P WASHER) M3X6	1000011101	21	132434020	WASHER	
6	048040343	RETAINING RING, E4	1000001451	22	128582023	BOBBIN CASE ASSEMBLY	
7	<del>060400816</del>	SCREW, BIND M4X8	1000005128	23	X52800120	BOBBIN	
8	131976020	WASHER, THRUST		24	014400632	SET SCREW, SOCKET (CP) M4X6	
9	XA1019021	RACK PLATE SPRING		25	X57313121	RACK STOPPER	
10	<del>XA6909021</del>	TOOTHED WASHER	1000005128	26	XA5702021	RACK STOPPER A	
11	X52077121	COLLAR		27	X57908021	TAPTITE, BIND S M4X10	
12	014400432	SET SCREW, SOCKET (CP) M4X4					
13	X53330020	WASHER		28	XA6907021	SCREW 4X8	1000005128
14	XA8290021	TAPTITE, BIND S M4X8					
15	X50559020	ZIGZAG ADJUSTING NUT					
16	062301006	SCREW, PAN M3X10					

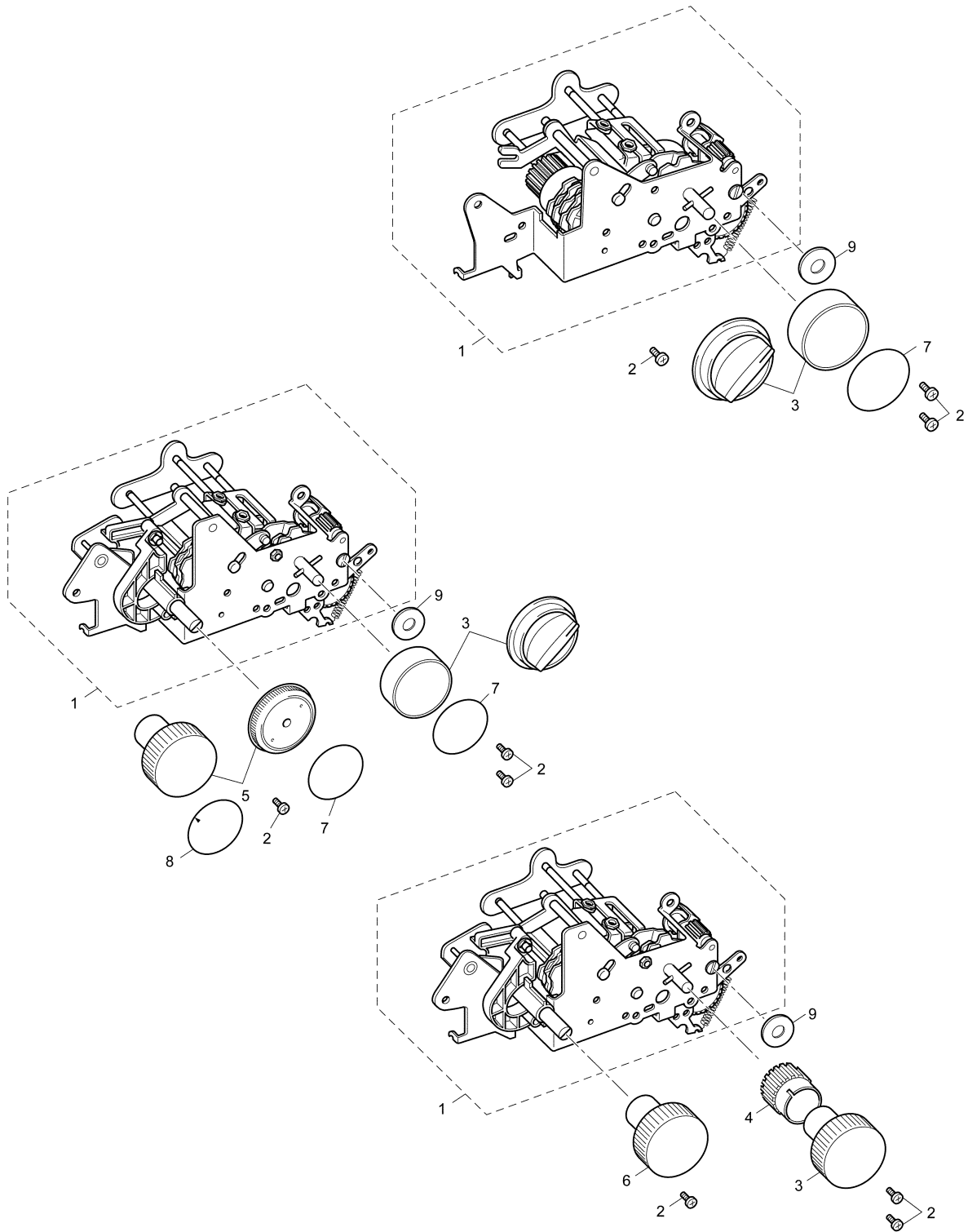
## (6) ZIGZAG / BH MECHANISM



## (6) ZIGZAG / BH MECHANISM

No.	CODE.	NAME	REMARKS
ZIGZAG MECHANISM			
1	XA4466021	Z CONNECTING ROD (XL501*, XL5050*, XL502*, XL5060*, XL503*, XL5070*, ML55, 65, 75, PRESTIGE50, XR14, 17, 21)	
	XA3971021	Z CONNECTING ROD (XL5130, XL5500*, XL5600*, XL5700*, XL5232, XL5340, XL5300, RS15, 20, 25, 30, 35, PX100*, PX110NTC, PX200*, PX220NTC, PX300*, PX330NTC, PS21, PRESTIGE100, 200, 300)	
2	XA8474021	UPSET 4X12DB	
3	XZ0024021	ZIGZAG CONNECTING ROD SPRING	1000007769
4	X50559020	ZIGZAG ADJUSTING NUT	
5	062301006	SCREW, PAN M3X10	
BH MECHANISM			
(XL502*, 5060*, XL503*, XL5070*, XL5232, RXL5322, XL5600*, XL5340, XL5300, XL5700*, RS15, 25, 30, 35, PX200*, PS21, PX220NTC, PX300*, PX330NTC, ML55, 65, 75, PRESTIGE200, 300, XR14, 17, 21)			
6	XZ0021021	BH CHANGE ARM ASSY	
7	XA3972021	BH NOTCH SPRING	
8	136997021	BH SPRING	
9	060400816	SCREW, BIND M4X8	
10	XA5812021	BH LEVER SET PLATE ASSY	
11	XA3975151	BH LEVER HOLDER ASSEMBLY	
12	XA3978021	BH CHANGE SHAFT	
13	048025343	RETAINING RING, E2.5	10000001451
14	XA3979021	BH HOLDER ASSY	
15	X57908021	TAPTITE, BIND S M4X10	

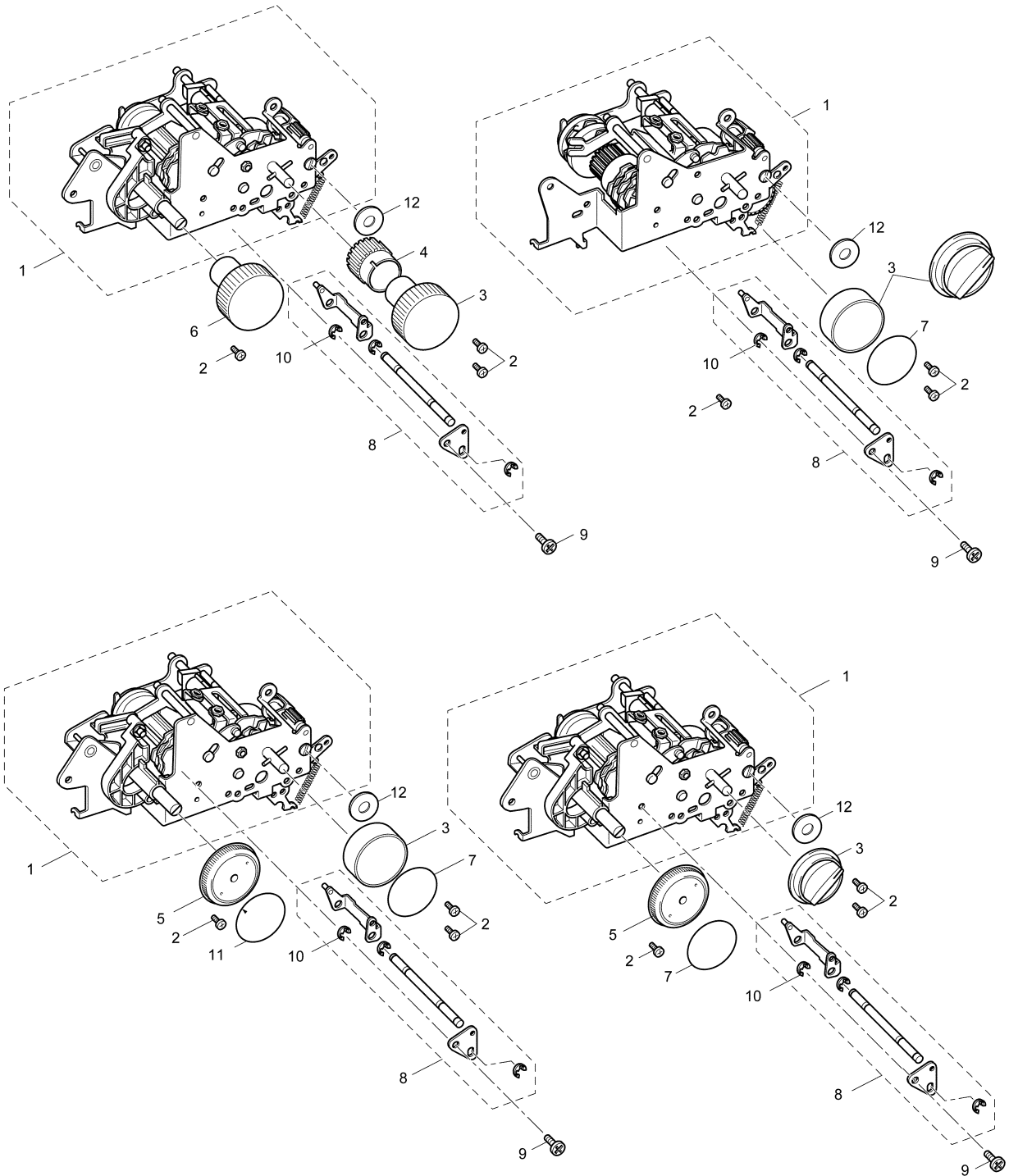
# (7) PATTERN SELECTION MECHANISM without BH CONNECTING LINK ASSY



## (7) PATTERN SELECTION MECHANISM without BH CONNECTING LINK ASSY

No.	CODE.	NAME	REMARKS
1	XA6004021	PATTERN SELECTING UNIT ASSY (XL5130)	
	XA6013021	PATTERN SELECTING UNIT ASSY (XL5010*, XL5011*, XL5012*, XL5050*, ML55, PRESTIGE50)	
	XC7341021	PATTERN SELECTING UNIT ASSY (XL5500*, RS15, 20, PRESTIGE100)	
	XA9837021	PATTERN SELECTING UNIT ASSY (PX100*, PX110NTC, PX150)	
2	X57908051	TAPTITE, BIND S M4X10	
3	XA5736021	PATTERN SELECTION DIAL (OTHER)	
	XA6371021	PATTERN SELECTION DIAL (PX100, PX100HC, PX110NTC)	
	XA6371023	PATTERN SELECTION DIAL (PX100NTC)	
	XC7343021	PATTERN SELECTION DIAL (XL5050*, XL5060NTC AV, XL5070NTC AV, XL5500*, RS15, 20, 30, ML55, PRESTIGE50, 100, XR14)	
4	XA6372021	PATTERN DECORATION GEAR 1 (PX100*, PX110NTC)	
5	XA5734021	MANUAL DIAL (XL5130)	
	XC7339121	MANUAL DIAL (XL5500*, RS15, 20, 30, PRESTIGE100)	
6	XA6373021	ZIGZAG DIAL (PX100, PX100NTC, PX110NTC)	
	XA6373023	ZIGZAG DIAL (PX100NTC)	
7	XA6003025	DIAL SHEET (XL5010*)	
	XA6003030	DIAL SHEET (XL5011*)	
	XA6003034	DIAL SHEET (XL5130)	
	XA6003037	DIAL SHEET (XL5012*)	
	XC7370022	DIAL SHEET (XL5500HC)	
	XC7370032	DIAL SHEET (XL5500, XL5500SE, XL5500NTC AV)	
	XC7370035	DIAL SHEET (RS-15)	
	XC7370046	DIAL SHEET (PRESTIGE100)	
8	XA5735022	DIAL SHEET (XL5130)	
9	XA4685021	BH KNOB SPACER (OTHER)	
	XA4685051	BH KNOB SPACER (PX100*, PX110NTC)	
	XC7433021	BH KNOB SPACER (XL5050*, XL5500*, RS15, PRESTIGE100, XR14)	

# (7) PATTERN SELECTION MECHANISM with BH CONNECTING LINK ASSY

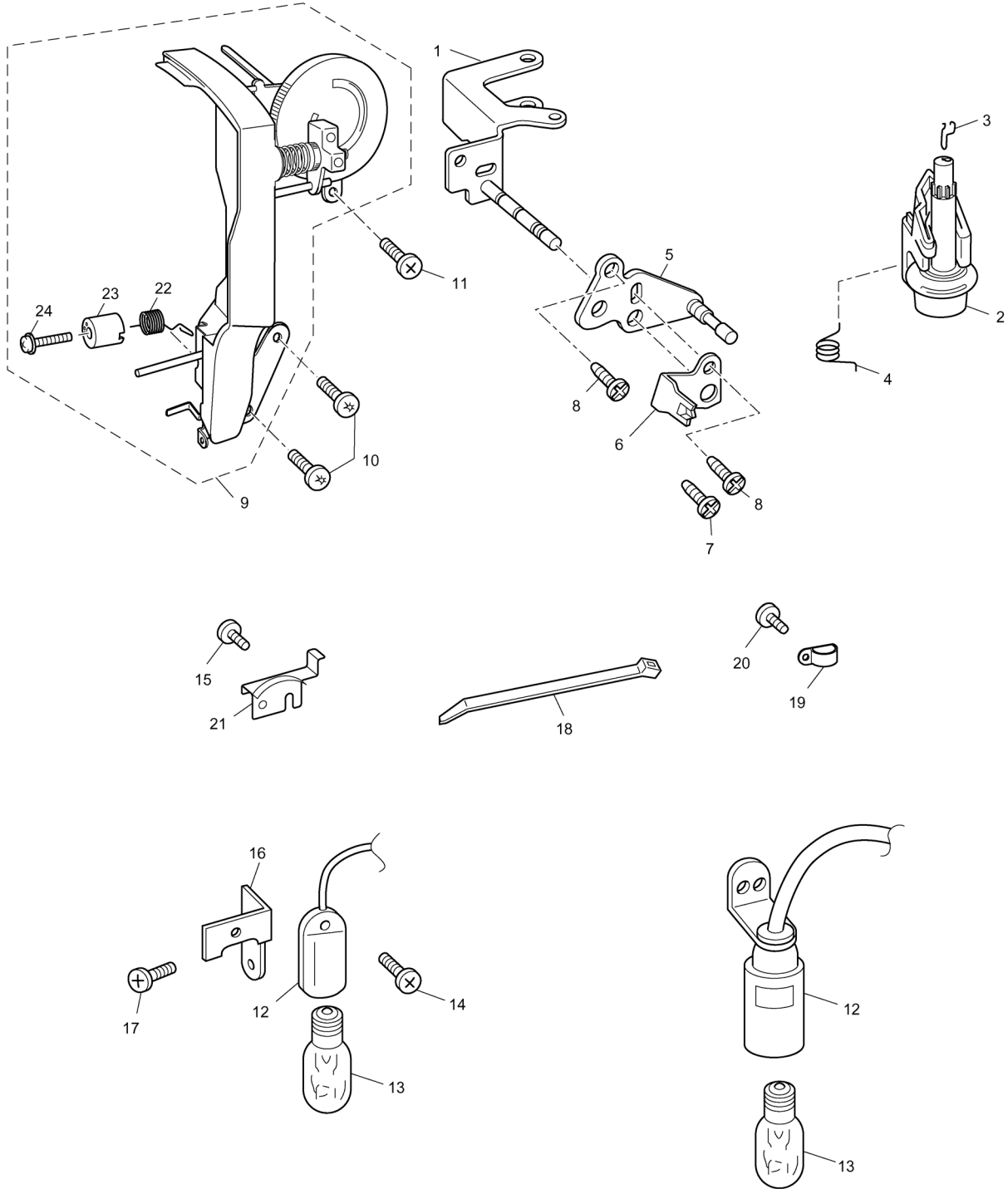


## (7) PATTERN SELECTION MECHANISM with BH CONNECTING LINK ASSY

No.	CODE.	NAME	REMARKS	No.	CODE.	NAME	REMARKS
1	XA5798121	PATTERN SELECTING UNIT ASSY (XL5300, XL5340)		7	XA6003021	DIAL SHEET (XL5300)	
	XA6011121	PATTERN SELECTING UNIT ASSY (XL5030*, XL5031*, XL5032*, XL5070*, ML75, XR21)			XA6003023	DIAL SHEET (XL5030, XL5030NTP)	
	XA6033121	PATTERN SELECTING UNIT ASSY (XL5020*, XL5021*, XL5022NTP, XL5022NTP AV, XL5060*, ML65, XR17)			XA6003024	DIAL SHEET (XL5020, XL5020NTP)	
	XA6034121	PATTERN SELECTING UNIT ASSY (XL5232)			XA6003031	DIAL SHEET (XL5021*)	
	XC7378021	PATTERN SELECTING UNIT ASSY (XL5600*, RS25, 30, PRESTIGE200)			XA6003032	DIAL SHEET (XL5031*)	
	XC7391021	PATTERN SELECTING UNIT ASSY (XL5700**, RS35, PS21, PRESTIGE300)			XA6003035	DIAL SHEET (XL5232)	
	XA9838021	PATTERN SELECTION UNIT ASSY (PX200*, PX220NTP)			XA6003038	DIAL SHEET (XL5032*)	
	XA9839021	PATTERN SELECTION UNIT ASSY (PX300*, PX330NTP)			XA6003039	DIAL SHEET (XL5022*)	
	2	X57908021	TAPTITE, BIND S M4X10 (OTHER)			XC7370024	DIAL SHEET (XL5600*)
X57908051		TAPTITE, BIND S M4X10 (XL5600*, RS25, PRESTIGE200)			XC7370026	DIAL SHEET (XL5700, 5700NTP AV, 5700HC)	
3	XA5736021	PATTERN SELECTION DIAL (OTHER)			XC7370037	DIAL SHEET (RS-20, 25)	
	XA6371021	PATTERN SELECTION DIAL (PX200, PX200HC, PX220NTP, PX300, PX300HC, PX330NTP)			XC7370039	DIAL SHEET (RS-30, 35)	
	XA6371022	PATTERN SELECTION DIAL (PX300NTP)			XC7370041	DIAL SHEET (XL5700SE, PS21)	ADD
	XA6371024	PATTERN SELECTION DIAL (PX200NTP)		XC7370048	DIAL SHEET (PRESTIGE200)		
	XC7343021	PATTERN SELECTION DIAL (XL5060*, XL5070*, XL5600*, XL5700*, RS25, RS35, ML65, ML75, PS21, PRESTIGE200, 300, XR17, 21)		XC7370050	DIAL SHEET (PRESTIGE300)		
4	XA6372021	PATTERN DECORATION GEAR 1 (PX200*, PX220NTP, PX300*, PX330NTP)		8	XA4025021	BH CONNECTING LINK ASSY	
5	XA5734021	MANUAL DIAL (XL5232, XL5340, XL5300)		9	060400416	SCREW, BIND M4X4	
	XC7339121	MANUAL DIAL (XL5600*, XL5700*, RS25, RS35, PS21, PRESTIGE200, 300)		10	048030343	RETAINING RING, E3	1000001451
6	XA6373021	ZIGZAG DIAL (PX200, PX200HC, PX220NTP, PX300, PX300HC, PX330NTP)		11	XA5735022	DIAL SHEET (XL5232, XL5340)	
	XA6373022	ZIGZAG DIAL (PX300NTP)		12	XA4685021	BH KNOB SPACER	
	XA6373024	ZIGZAG DIAL (PX200NTP)			XA4685051	BH KNOB SPACER (XL5340)	
				XC7433021	BH KNOB SPACER (XL5050NTP AV, XL5060*, XL5070*, XL5600*, XL5700*, RS20, 25, 30, 35, ML65, ML75, PS21, PRESTIGE50, 200, 300, XR17, 21)		



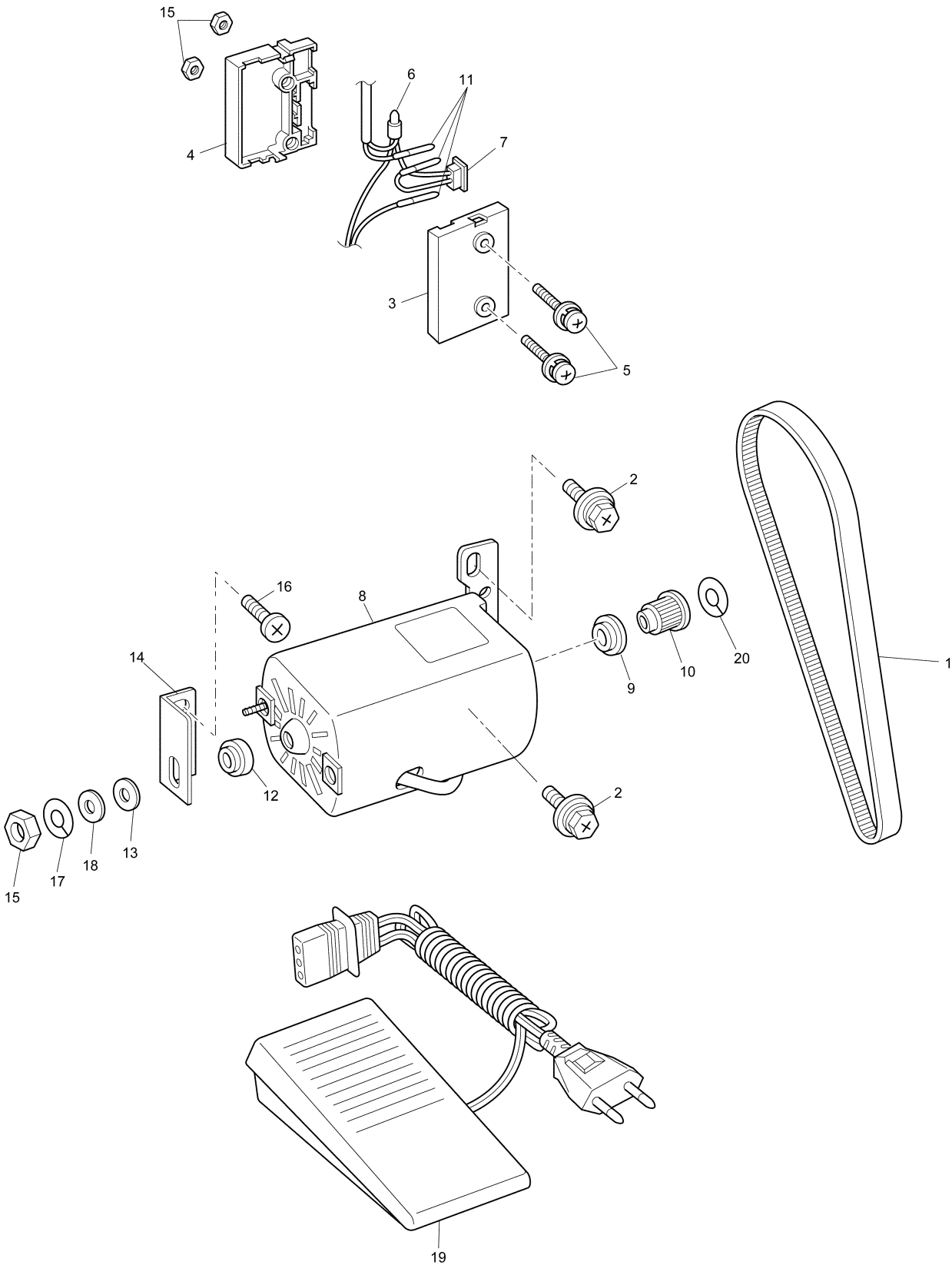
# (8) BOBBIN WINDER / THREAD GUIDE / LAMP MECHANISM



## (8) BOBBIN WINDER / THREAD GUIDE / LAMP MECHANISM

No.	CODE.	NAME	REMARKS	No.	CODE.	NAME	REMARKS
BOBBIN WINDER MECHANISM				17	060300616	SCREW, BIND M3X6 (XL5130), (XL5500: U.S.A., CAN), (XL5232), (XL5600: U.S.A., CAN), (XL5340), (XL5700: U.S.A., CAN), (PS21), (PX100, PX200, PX300: U.S.A., MEXICO)	
1	XA3273121	BOBBIN WINDER HOLDER SUB ASSY (OTHER)		18	X53169020	BAND	050245
	XC7347021	BOBBIN WINDER HOLDER SUB ASSY (XL5050*, XL5060*, XL5070*, XL5500*, XL5600*, XL5700*, RS15, 20, 25, 30, 35, ML55, 65, 75, PS21, PRESTIGE50, 100, 200, 300, XR14, 17, 21)		19	XA7678021	CORD CRAMP	
2	XA4032021	BOBBIN WINDER SHAFT HOLDER ASSY	CHG	20	X57908021	TAPTITE, BIND S M4X10	
3	XZ5039001	BOBBIN WINDER SHAFT SPRING	1000007062	21	XA8463021	CORD GUIDE	
4	X59939021	BOBBIN WINDER SPRING		22	X58857021	THREAD TAKE UP SPRING	ADD
5	XA3133121	SS CHANGE HOLDER ASSY		23	132305051	THREAD TAKE UP SPRING CASE	ADD
6	XA3136021	F DIAL SPRING		24	0A4402006	SCREW, PAN (S/P WASHER) M4X20	ADD
7	062400416	SCREW, PAN M4X4					
8	X57913021	TAPTITE, BIND S M4X16					
THREAD GUIDE MECHANISM							
9	XA5805021	THREAD GUARD ASSY (OTHER)					
	XC7349021	THREAD GUARD ASSY (XL5050*, XL5060*, XL5070*, XL5500*, XL5600*, XL5700*, RS15, 20, 25, 30, 35, ML55, 65, 75, PS21, PRESTIGE50, 100, 200, 300) XR14, 17, 21)					
	XA6374021	THREAD GUIDE ASSY (PX Series)					
10	X57908021	TAPTITE, BIND S M4X10					
11	060400416	SCREW, BIND M 4X4					
LAMP MECHANISM							
12	XC7352021	ASSY: SEWING LAMP E12C#24 (XL5130), (XL5232), (XL5340), (PS21), (XL5500, 5600, 5700: U.S.A., CAN), (PX100, PX200, PX300: U.S.A.,	060089				
	XA1064021	SEW-LIGHT ASSY (OTHER)					
13	X53061030	SEW-LIGHT BULB (100-120V)	1000013742				
	205336030	SEW-LIGHT BULB L-4 (220-240V)	1000012695				
14	X57984021	TAPTITE, BIND S M3X20 (XL5130), (XL5500: U.S.A., CAN), (XL5232), (XL5600: U.S.A., CAN), (XL5340), (XL5700: U.S.A., CAN), (PS21) (PX100, PX200, PX300: U.S.A., MEXICO)					
15	XA1623021	TAPTITE, BIND S M3X10					
16	XA4036021	LAMP HOLDER (XL5130), (XL5500: U.S.A., CAN), (XL5232), (XL5600: U.S.A., CAN), (XL5340), (XL5700: U.S.A., CAN), (PS21), (PX100, PX200, PX300: U.S.A., MEXICO)					

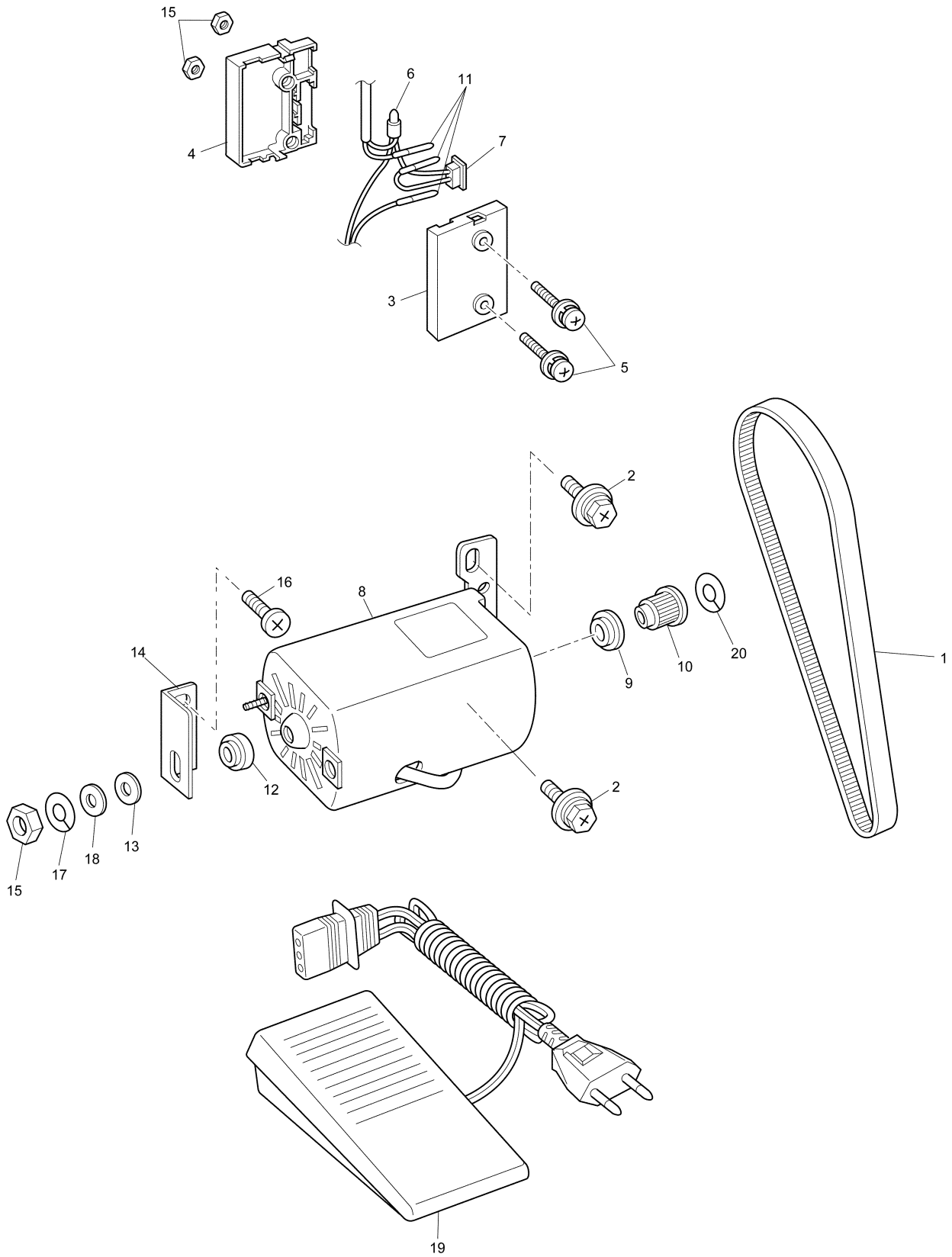
# (9) MOTOR UNIT



## (9) MOTOR UNIT

No.	CODE.	NAME	REMARKS	No.	CODE.	NAME	REMARKS
1	XA1196021	T BELT B163XXL4.8		9	XA1265120	MOTOR T-PULLEY A	
2	XA3004021	BOLT, (S/P WASHER) M5X12 (OTHER)		10	XC7355021	MOTOR T-PULLEY B	050090
	XA3004051	BOLT, (S/P WASHER) M5X12 (XL5600: GER, U.K., FRA, CHN), (XL5600HC), (XL5600NTC AV), (RS25, 30), (PRESTIGE200)	1000009514	11	138598021	SOCKET PIN	
3	XA8786021	3P SOCKET BODY		12	XC2138020	SPACER (XL5130), (XL5232), (XL5340), (PS21), (XL5500, XL5600, XL5700: U.S.A., CAN), (PX100, PX200, PX300: U.S.A.,	
4	XA8787021	3P SOCKET COVER		13	XC2139020	WASHER (XL5130), (XL5232), (XL5340), (PS21), (XL5500, XL5600, XL5700: U.S.A., CAN), (PX100, PX200, PX300: U.S.A.,	
5	052403006	SCREW, PAN (S/P WASHER) M4X30		14	XC2137120	MOTOR SUPPORTER (XL5130), (XL5232), (XL5340), (PS21), (XL5500, XL5600, XL5700: U.S.A., CAN), (PX100, PX200, PX300: U.S.A.,	
6	214808020	CONNECTOR: #3		15	021400205	NUT, 2 M4	
7	XA1073021	PW SWITCH ASSY (OTHER)		16	X57908021	TAPTITE, BIND S M4X10 (XL5130), (XL5232), (XL5340), (PS21), (XL5500, XL5600, XL5700: U.S.A., CAN), (PX100, PX200, PX300: U.S.A.,	
	XA1070021	PW SWITCH ASSY (XL5130), (XL5232), (XL5340), (PS21), (PX100, PX200, PX300: U.S.A., (XL5500, XL5600, XL5700: U.S.A., CAN)		17	028040242	WASHER, SPRING 2-4 (XL5130), (XL5232), (XL5340), (PS21), (XL5500, XL5600, XL5700: U.S.A., CANADA), (PX100, PX200, PX300: U.S.A., MEXICO)	
8	XC7354221	MOTOR: HFA-07150 FDM (120V 60Hz)	1000015143	18	102707023	WASHER (XL5130), (XL5232), (XL5340), (PS21), (XL5500, XL5600, XL5700: U.S.A., CANADA), (PX100, PX200, PX300: U.S.A., MEXICO)	
	XC7599521	MOTOR: NS-70 FDM220V (220V) (XL5050/5060/5070: HKG), (XL5600: CHN) (XL5500/5700: ARG, GUF; 220V, CHN, PRY, Latin America (2&5)), (PX100: ARG, CHL, CHN), (PX200/300: ARG, CHL, CHN, IRQ), (PX100/200/300HC: CHL)	1000015830	19	XC7456321	FOOT CONTROLLER: KD-2902UK (XL5010, XL5020, XL5030, PX100, PX200, PX300: IRELAND, U.K.), (XL5010NTP), (XL5011), (XL5011NTC), (XL5012AV), (XL5012NTP), (XL5***NTP AV), (XL5020NTP), (XL5021), (XL5021AV), (XL5021NTC), (XL5022NTP), (XL5030NTP), (XL5031), (XL5031AV), (XL5031NTC), (XL5032NTP), (XL5050NTC), (XL5060NTC), (XL5070NTC), (XL5500SE: U.K.), (XL5050, XL5060, XL5070, XL5500, XL5600, XL5700: U.K.), (XL5***NTC AV), (5700SE) (PX***NTC)	050086
	XA1430121	MOTOR: MM-251-52 (230V)			XA6414121	FOOT CONTROLLER: FC-307-59 (PX300: NEW ZEALAND)	
	XA1431121	MOTOR: MM-251-53 (240V) (PX300: NEW ZEALAND)			XA6422321	FOOT CONTROLLER: FC-307-63 (OTHER)	
	XD0851321	MOTOR: NS-70 FDM220V/60HZ (XL5010/5020/5500/5600/5700: KOREA), (PX100/200/300: KOREA)	1000015830				
8	XC7436421	MOTOR: NS-70 FDM230V (230V) (XL5050*), (XL5060*), (XL5070*), (XL53**), (XL5500: DEU, AUT, ESP, ITA, RUS, NEU, SGP, GUF; 230V), (XL5500SE: DEU, UK, ITA), (XL5600: DEU, AUT, RUS, NEU, SGP, UAE), (XL5700: AUT, CHE, RUS, SGP, UAE), (XL5700SE: DEU, UK, CHE), (XL5500/5600/5700HC: ESP), (XL5500/5600/5700 NTC AV: GBR), (PX100*), (PX150), (PX110NTC), (RS15/20/25/30/35: RUS), (ML55/65/75: RUS), (PRESTIGE50/100/200/300: RUS) (XR14, 17, 21)	1000015830				
	XE0730301	MOTOR: NS-70 FDM240V (240V) (XL5500, XL5700: MYS, AUS)	1000015830				

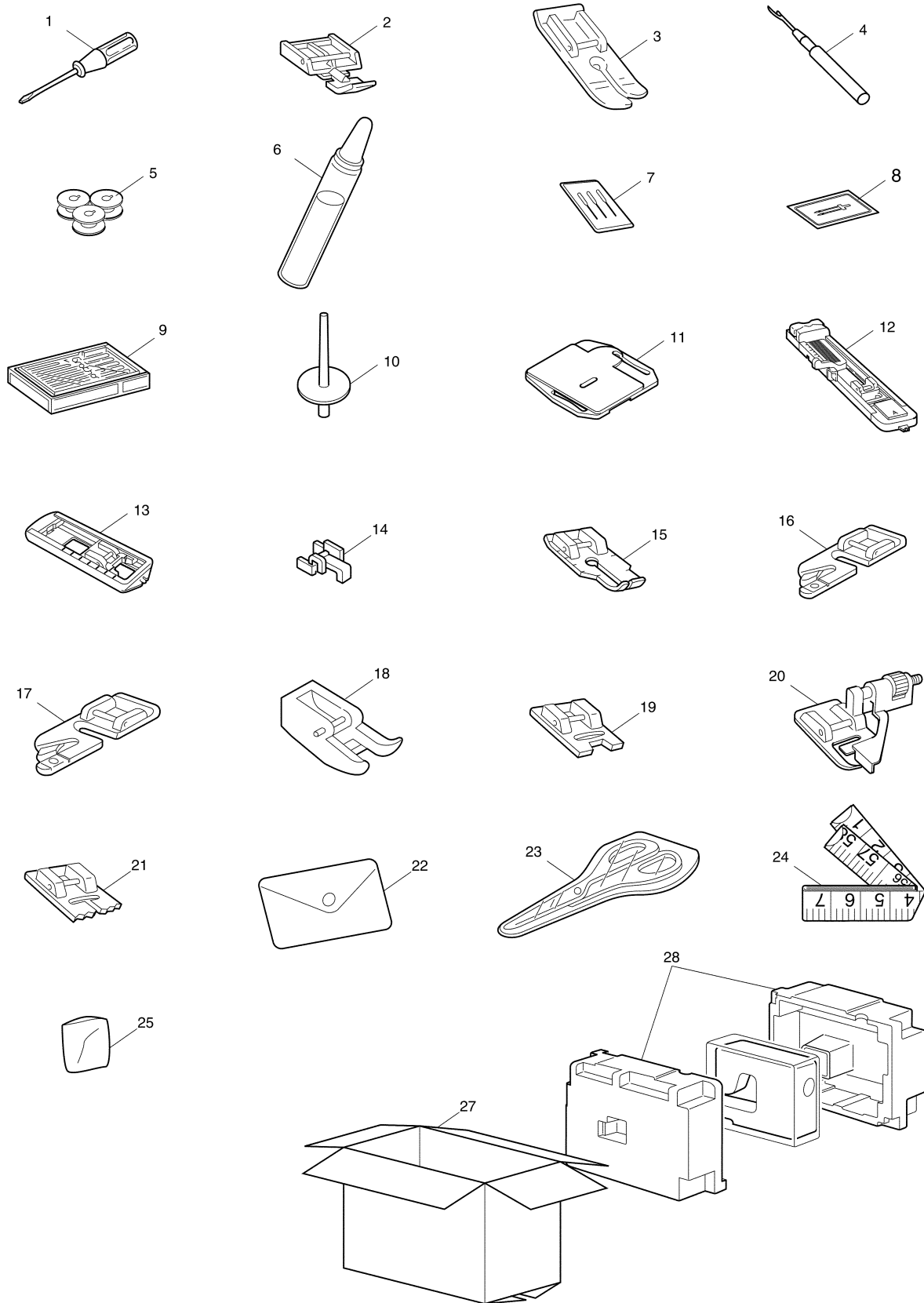
## (9) MOTOR UNIT



## (9) MOTOR UNIT

No.	CODE.	NAME	REMARKS
19	XD0852021	FOOT CONTROLLER: KD-2902KOREA (XL5010, XL5020, PX100, PX200, PX300: KOREA)	060085
	XA6430121	FOOT CONTROLLER: FC-307-67 (PX100, PX200, PX300: CHINA)	
	XD0112121	FOOT CONTROLLER: KD-2902IRAM (XL5500, XL5700: ARGENTINE)	1000008422
	XC7359021	FOOT CONTROLLER: KD-1902 (XL5130), (XL5232), (XL5340), (XL5500, XL5600, XL5700: U.S.A., CANADA), (PX100, PX200, PX300: U.S.A., MEXICO), (PS21)	060049
	XE0629001	FOOT CONTROLLER: KD-2902AUS (XL5500, XL5700: AUS)	1000012538
	XE3414001	FOOT CONTROLLER: KD-1902 BRZ (BRA)	1000004053
	XD0105021	FOOT CONTROLLER: KD-2902 CHN (CHN)	1000009514
	XC7438321	FOOT CONTROLLER: KD-2902 (XL5050: GER, FRA, ITA, SWI, RUS, SING), (XL5060: GER, FRA, ITA, RUS, SING), (XL5070: GER, FRA, SWI, RUS, SING), (XL5500, XL5700: CHILE, GER, FRA, SWI, MYS, ARG, PRY, GUF, Latin America (2&5)) (XL5500SE: GER), (XL5600: GER, FRA, SIN), (XL5***HC), (RS15, 20, 25, 30, 35), (ML55, 65, 75), (PRESTIGE50, 100, 200, 300) (XR14, 17, 21)	1000009514
20	048060142	RETAINING RING EXTERNAL C6	1000015143

# (10) ATTACHMENTS / PACKING MATERIALS / PRINTED MATTERS

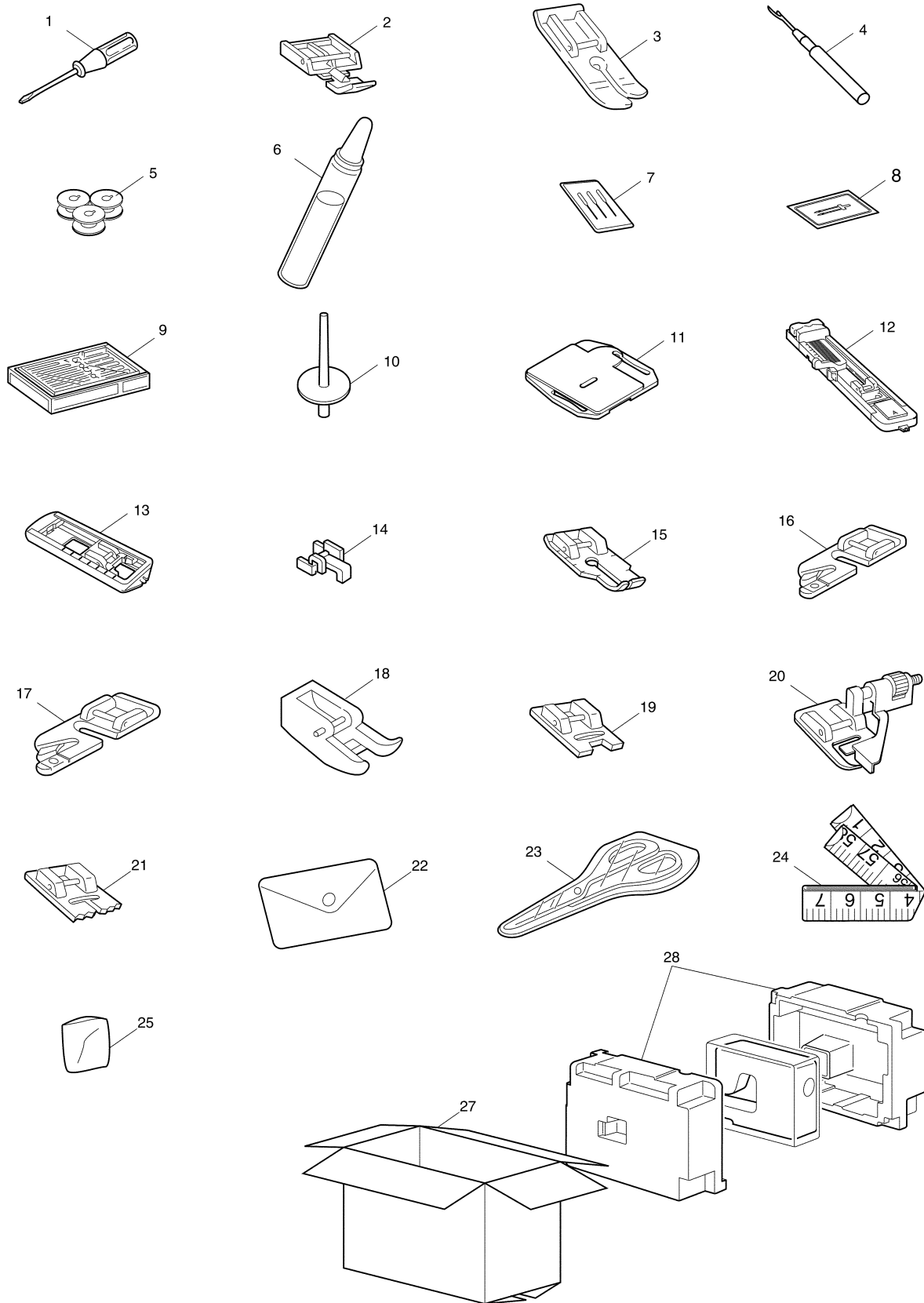


**(10) ATTACHMENTS / PACKING MATERIALS / PRINTED MATTERS**

No.	CODE.	NAME	REMARKS	No.	CODE.	NAME	REMARKS	
ATTACHMENTS								
1	X55467021	SCREW DRIVER		11	XA3442121	FEED DOG COVER (XL5010*), (XL5011*), (XL5012*), (XL5020*), (XL5021*), (XL5022*), (XL5030*), (XL5031*), (XL5032*), (XL5050), (XL5050NTC AV), (XL5060), (XL5060NTC AV), (XL5070*), (XL5130), (XL5500, 5700: U.S.A., CAN, CHL, ARG, PRY, GUF, Latin America (2&5)) (XL5600: U.S.A., CAN), (XL5340), (XL5300), (XL5232), (ML55, 65, 75), (PS21), (XR14, 17, 21)		
2	X59370021	ZIPPER FOOT						
3	X59374021	STRAIGHT STITCH PRESSER FOOT						
4	X54243051	SEAM RIPPER  (except XL5130, XL5232, XL5500: U.S.A., CAN, CHILE, MYS, XL5600: U.S.A., CAN, XL5340, XL5700: U.S.A., CAN, CHILE, MYS)						
5	X52800120	BOBBIN		12	XD1792031	BUTTON HOLE FOOT ASSY (XL5020*), (XL5021*), (XL 5022*), (XL5030*), (XL5031*), (XL5032*), (XL5060*), (XL5070*), (XL5232), (XL5300), (XL5340), (XL5600*), (XL5700: U.S.A., CAN, CHILE, GER, U.K, FRA, SWI, AUS, ARG, PRY), (XL5700NTC AV), (XL5700SE), (XL5700HC), (PX200*), (PX220NTC), (PX300*), (PX330NTC), (RS25, 30, 35), (ML65, 75), (PS21), (PRESTIGE200, (XR17, 21)	1000003701	
6	X55465051	OILER  (XL5010*, XL5011*, XL5012*, XL5020*, XL5030*, XL5021*, XL5022*, XL5031*, XL5032*, PX100*, PX110NTC, PX200*, PX220NTC*, PX300*, PX330NTC, XL5050*, XL5060*,  (XL5***SE), (XL5***HC), (XL5500, XL5600, XL5700: GER, U.K., FRA, SWI, MYS, AUS),  (XL5600NTC AV), (XL5700NTC AV),  (RS15, 20, 25, 30, 35), (ML55, 65, 75),  (PRESTIGE50, 100, 200, 300)  (XR14, 17, 21)	1000003701					
7	129583021	NEEDLE SET (3PCS)		13	X59369321	BUTTON HOLE FOOT ASSY  (XL5010*, XL5011*, XL5012*, XL5050*, XL5130, XL5500*, RS15, 20, PX100*, PX110NTC, PX150, ML55, PRESTIGE50, 100, XR14)		
8	X57521021	NEEDLE PACKAGE (1PCE) (OTHER)		14	XE2137001	BUTTON SEWING FOOT  180083001 DARNING FOOT (PX100HC, PX200HC, PX300HC: CHILE)	1000001059	
	X57521001	NEEDLE PACKAGE (1PCE)  (XL5600: GER, U.K., FRA, SIN, CHN), (XL5600NTC AV), (XL5600HC), (RS25, 30), (PRESTIGE200)	1000009514	15	XA3805021	1/4" QUILTING FOOT  (XL5232), (XL5340), (XL5700: USA, CAN, CHL, ARG, PRY), (PS21)	1000000880	
9	X58358021	Z NEEDLE ASSY  (XL5012AV), (XL5022AV), (XL5021AV), (XL5022NTP AV), (XL5032AV), (XL5031AV), (XL5032NTP AV), (XL5130, XL5232: CANADA), (XL5060NTC AV), (XL5070NTC AV)		16	122329001	NARROW HEMMER  (XL5130, XL5232: CANADA)		
9	X58358051	Z NEEDLE ASSY  (XL5500, XL5600: CANADA), (XL5600NTC AV), (XL5700NTC AV)		17	X59371021	NARROW HEMMER FOOT  (XL5130: U.S.A.), (XL5600: U.S.A., CAN), (XL5500, 5700: USA, CAN, CHL, ARG, PRY GUF, Latin America (2&5)), (XL5340), (PS21)		
10	130920021	EXTRA SPOOL PIN		18	X53189001	PRESSER FOOT ASSEMBLY  (XL5232, XL5500, XL5600: CANADA)		
				19	XA7875001	PEARL SEQUENCE FOOT  (XL5130, XL5500, XL5232, XL5600: CANADA)		



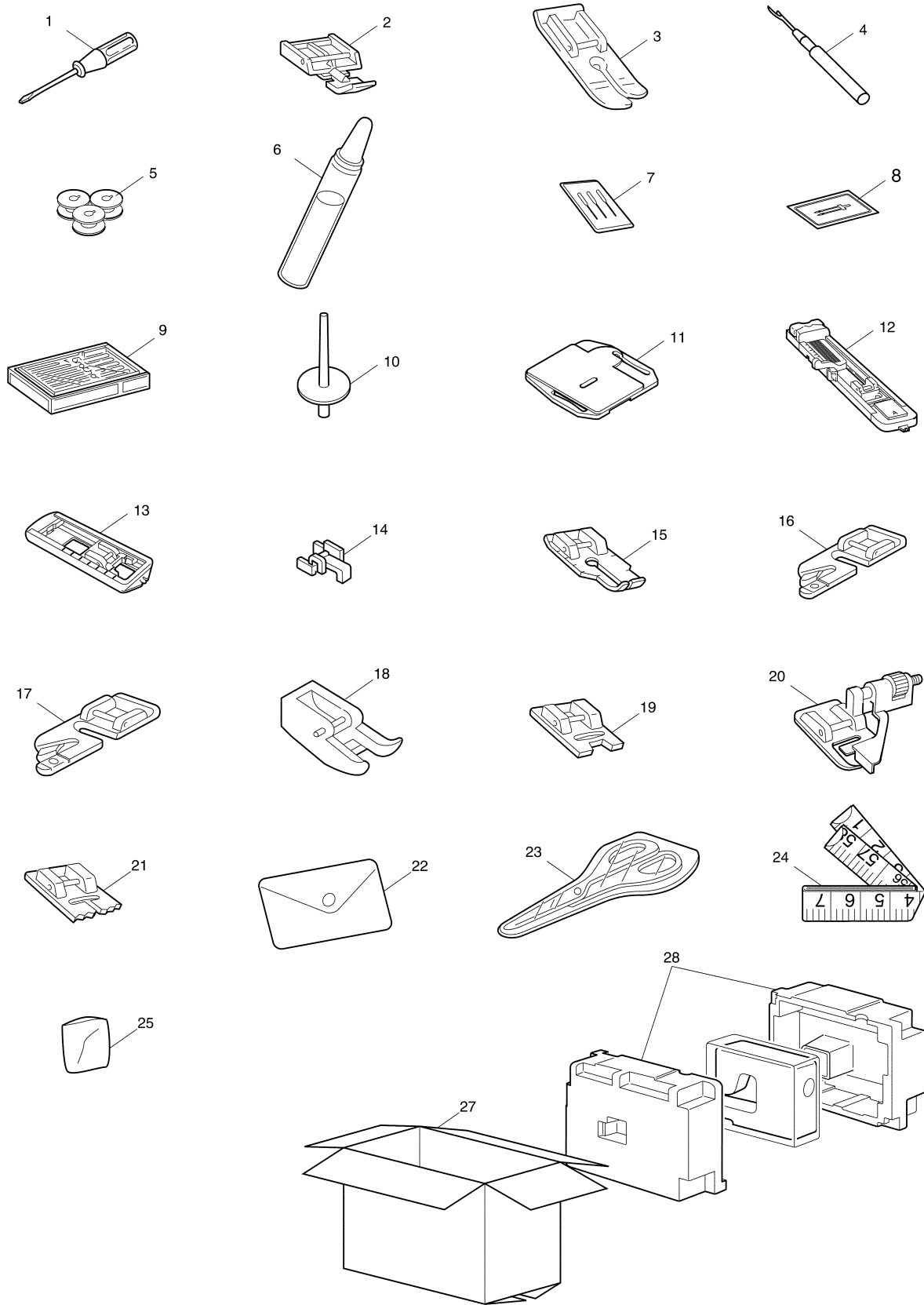
# (10) ATTACHMENTS / PACKING MATERIALS / PRINTED MATTERS



## (10) ATTACHMENTS / PACKING MATERIALS / PRINTED MATTERS

No.	CODE.	NAME	REMARKS	No.	CODE.	NAME	REMARKS
20	XE6081001	BLIND STITCH FOOT (XL5130: U.S.A.), (XL5340), (RS15, 25, 30, 35), (XL5500*), (XL5600*), (XL5700*), (PX100*), (PX150), (PX110NTC), (PS21), (PRESTIGE100, 200, 300)	1000012127	PACKING MATERIALS			
21	125905021	PIN TUCK PRESSER FOOT (XL5340), (XL5700: USA, CAN, CHL, ARG, PRY), (PS21)	050214	27	X61361056	CARTON (XL5010)	
22	XC4487021	ACCESSORY BAG	1000008480		X61361060	CARTON (XL5010: RUSSIA, SINGAPORE)	
23	XC1807121	SCISSORS (XL5***AV), (XL5***NTP AV), (XL5***NTC AV) (XL5130, XL5500, XL5232, XL5600: CANADA)			X61361070	CARTON (XL5010NTP)	
24	XA5772021	MEASURE (XL5***AV), (XL5***NTP AV), (XL5***NTC AV) (XL5130, XL5500, XL5232, XL5600: CANADA)	040158		X61361057	CARTON (XL5011)	
25	XA8547021	PIN CUSHION (XL5012AV), (XL5022AV), (XL5031AV), (XL5032AV), (XL5032NTP AV), (XL5130, XL5500, XL5232, XL5600: CANADA), (XL5070NTC AV), (XL5700NTC AV)			X61361058	CARTON (XL5011AV)	
26	<del>264030024</del>	BAG, 165X250 (XL5012AV), (XL5022AV), (XL5032AV), (XL5031AV), (XL5032NTP AV), (XL5130, XL5500, XL5232, XL5600, XL5700: CANADA)(XL5700NTC AV), (XL5300, XL5340)	050145		X61361088	CARTON (XL5011NTP)	
	X53984027	DUST COVER ASSY (except XL5***HC)			X61361071	CARTON (XL5011NTC)	
	XC1103021	DUST COVER ASSEMBLY (XL5011NTC, XL5021NTC, XL5031NTC, PX100NTC, PX110NTC, PX200NTC, PX220NTC, PX300NTC, PX330NTC)			X61361069	CARTON (XL5012)	
	XC1103051	DUST COVER ASSEMBLY (XL5050NTC, XL5060NTC, XL5070NTC, XL5***NTC AV)			X61361086	CARTON (XL5012: SINGAPORE)	
					X61361059	CARTON (XL5012AV)	
					X61361078	CARTON (XL5012NTP)	
					XC7593030	CARTON (XL5012NTP AV)	
					X61361061	CARTON (XL5020)	
					X61361064	CARTON (XL5020: RUSSIA, SINGAPORE)	
					X61578029	CARTON (XL5020: KOREA)	
					X61361072	CARTON (XL5020NTP)	
					X61361062	CARTON (XL5021)	
					X61361063	CARTON (XL5021AV)	
					X61361073	CARTON (XL5021NTC)	
					X61361089	CARTON (XL5021NTP)	
					X61361076	CARTON (XL5022AV)	
					X61361079	CARTON (XL5022NTP)	
					XC7593031	CARTON (XL5022NTP AV)	
					X61361065	CARTON (XL5030)	
					X61361068	CARTON (XL5030: RUSSIA, SINGAPORE)	
					X61361074	CARTON (XL5030NTP)	
					X61361066	CARTON (XL5031)	
					X61361067	CARTON (XL5031AV)	
					X61361075	CARTON (XL5031NTC)	
					X61361090	CARTON (XL5031NTP)	
					X61361087	CARTON (XL5032)	
					X61361077	CARTON (XL5032AV)	
					X61361080	CARTON (XL5032NTP)	
					XC7593032	CARTON (XL5032NTP AV)	
					X61361097	CARTON (XL5050: OTHER)	
					XC7593051	CARTON (XL5050: RUS)	1000001491
					XC7593027	CARTON (XL5050NTC)	
					X61361098	CARTON (XL5060: OTHER)	
					XC7593053	CARTON (XL5060: RUS)	1000001491
					XC7593028	CARTON (XL5060NTC)	
					X61361099	CARTON (XL5070: OTHER)	
					XC7593054	CARTON (XL5070: RUS)	1000001491
					XC7593029	CARTON (XL5070NTC)	
					X61383028	CARTON (XL5130)	

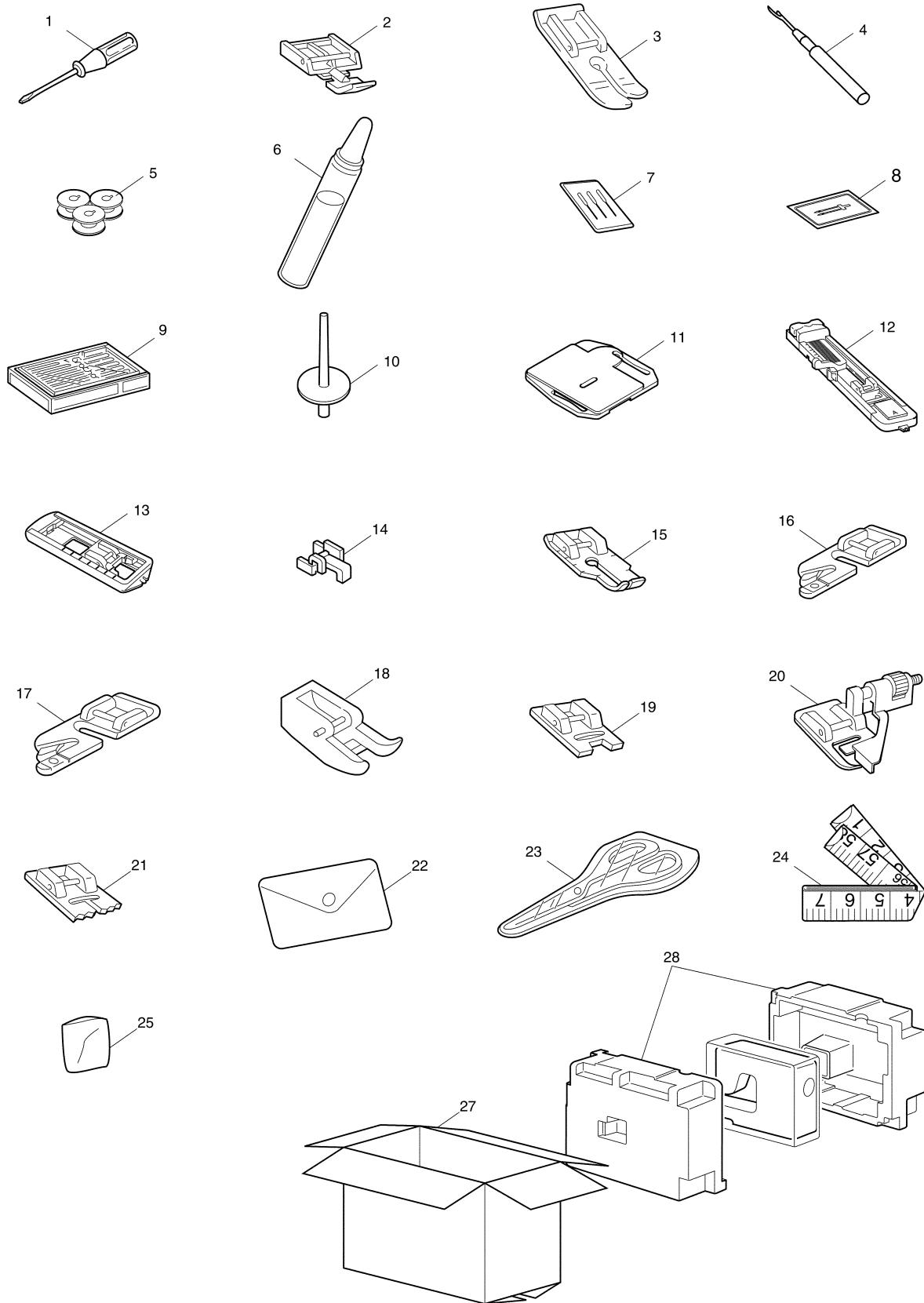
# (10) ATTACHMENTS / PACKING MATERIALS / PRINTED MATTERS



## (10) ATTACHMENTS / PACKING MATERIALS / PRINTED MATTERS

No.	CODE.	NAME	REMARKS	No.	CODE.	NAME	REMARKS
27	X61383024	CARTON (XL5130: CANADA)		27	X61361085	CARTON (PX200: SINGAPORE)	
	X61383025	CARTON (XL5232)			X61361035	CARTON (PX200: CHINA)	
	X61361021	CARTON (XL5300)			X61578022	CARTON (PX200HC, PX200: KOREA)	
	X61383029	CARTON (XL5340)			X61578027	CARTON (PX200: IRAQ)	
	X61383030	CARTON (XL5500: U.S.A., CANADA)			X61361082	CARTON (PX200NTC)	
	X61383034	CARTON (XL5500: OTHER)			XC7593033	CARTON (PX220NTC)	
	X61383036	COLOR CARTON (XL5500: SIN, CHINA, MYS)	1000009865		X61361049	CARTON (PX200: Other country)	
	X61578030	CARTON (XL5500HC)			X61361027	CARTON (PX300: U.S.A.)	
	XC7593034	CARTON (XL5500SE)			X61361054	CARTON (PX300: OTHER)	
	XC7593056	CARTON (XL5500: GER, U.K, FRA)	1000001491		X61361084	CARTON (PX300: SINGAPORE)	
	XD0825022	CARTON (XL5500: KOREA)	1000003004		X61361036	CARTON (PX300: CHINA)	
	X61383031	CARTON (XL5600: U.S.A., CANADA)			X61578028	CARTON (PX300: IRAQ)	
	X61383037	COLOR CARTON (XL5600: SIN, CHINA)	1000009514		X61578021	CARTON (PX300HC)	
	X61578031	CARTON (XL5600HC)			X61361081	CARTON (PX300NTC)	
	XC7593025	CARTON (XL5600NTC AV)			X61361094	CARTON (PX330NTC)	
	XC7593060	CARTON (XL5600: GER, U.K, FRA)	1000001491		X61361055	CARTON (PX300: Other country)	
	XD0825023	CARTON (XL5600: KOREA)	1000003004		XC7593038	CARTON (XL5050NTC AV)	
	X61383032	CARTON (XL5700: U.S.A., CANADA)			XC7593039	CARTON (XL5060NTC AV)	
	X61383033	CARTON (XL5700: OTHER)			XC7593040	CARTON (XL5070NTC AV)	
	X61383038	COLOR CARTON (XL5700: SWI)	1000003701		XC7593048	CARTON (ML55)	ADD
	X61383039	COLOR CARTON (XL5700: MYS)	1000009893		XC7593049	CARTON (ML65)	ADD
	X61383040	COLOR CARTON (XL5500: AUS)	1000012524		XC7593050	CARTON (ML75)	ADD
	X61383041	COLOR CARTON (XL5700: AUS)	1000012538		XC7593057	CARTON (RS20)	1000001491
	X61578032	CARTON (XL5700HC)			XC7593061	CARTON (RS30)	1000001491
	XC7593026	CARTON (XL5700NTC AV)			XC7593066	CARTON (PS21)	1000002336
	XC7593041	CARTON (XL5700SE)	1000003125		XC7593052	CARTON (PRESTIGE50)	
	XC7593064	CARTON (XL5700: RUS)	1000001491		XC7593058	CARTON (PRESTIGE100)	
	XD0825024	CARTON (XL5700: KOREA)	1000003004		XC7593062	CARTON (PRESTIGE200)	
	XE2032001	CARTON SUPPLY ASSY (XL5700: SIN, GULF, CHINA)	1000007049		XC7593065	CARTON (PRESTIGE300)	
	XC7593055	CARTON (RS-15)	1000001491		XE7742001	CARTON MODEL:XR-14 (XR14)	1000016711
	XC7593059	CARTON (RS-25)	1000001491		XE7765001	CARTON MODEL:XR-17 (XR17)	1000016712
	XC7593063	CARTON (RS-35)	1000001491		XE7772001	CARTON MODEL:XR-21 (XR21)	1000016713
	X61361029	CARTON (PX100: U.S.A.)					
	X61361046	CARTON (PX100: OTHER)					
	X61361034	CARTON (PX100: CHINA)					
	X61578026	CARTON (PX100: KOREA)					
	X61578023	CARTON (PX100HC)					
	X61361083	CARTON (PX100NTC)					
	X61361096	CARTON (PX110NTC)					
	X61361095	CARTON (PX150)					
	X61361047	CARTON (PX100: Other country)					
	X61361028	CARTON (PX200: U.S.A.)					
	X61361048	CARTON (PX200: OTHER)					

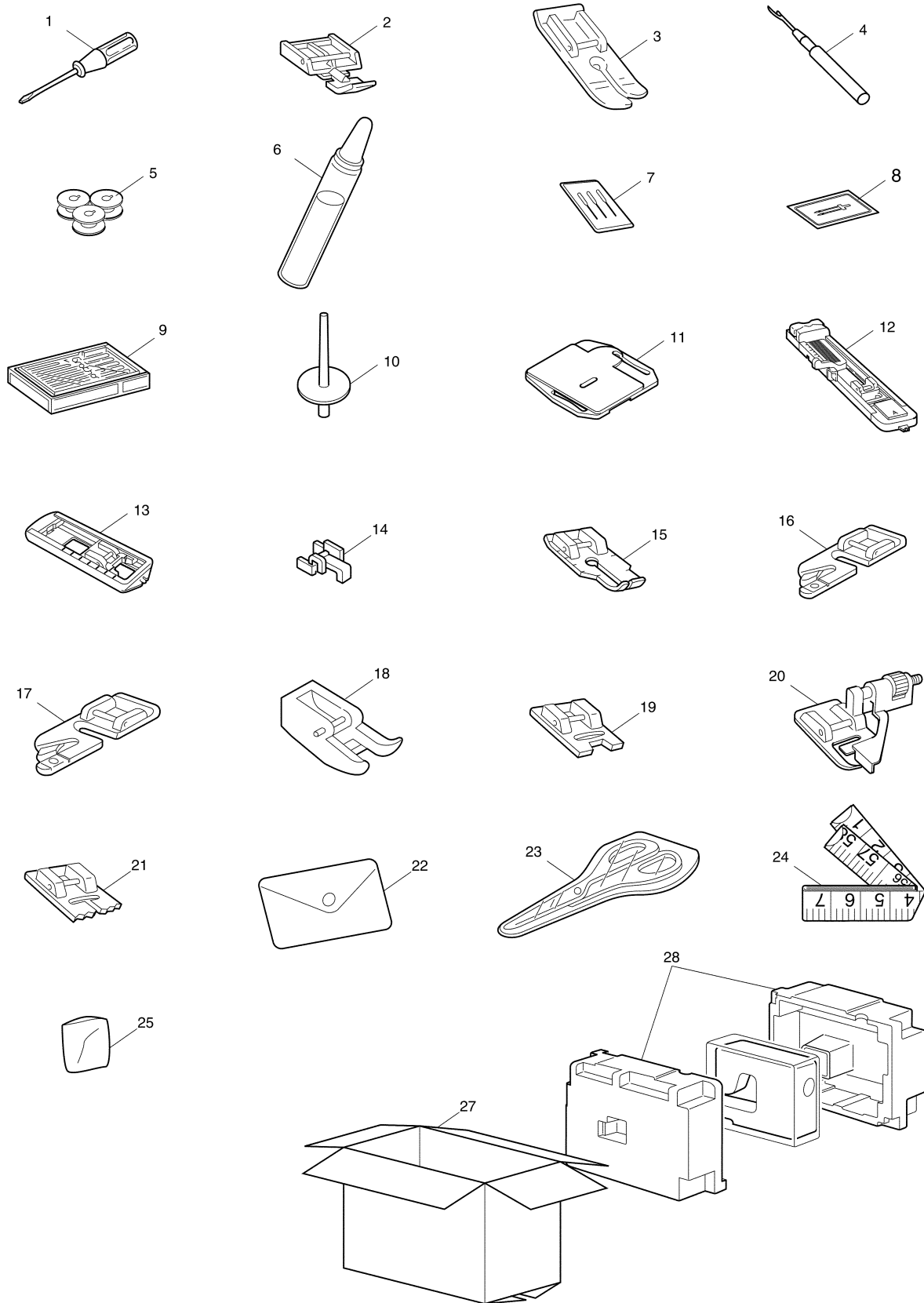
# (10) ATTACHMENTS / PACKING MATERIALS / PRINTED MATTERS



## (10) ATTACHMENTS / PACKING MATERIALS / PRINTED MATTERS

No.	CODE.	NAME	REMARKS	No.	CODE.	NAME	REMARKS
28	X61363121	457 POLYSTYRENE ASSY (XL50*0, XL5130, XL5232, XL5300, XL5340), (PX100, PX200, PX300)	060055		XC7132021	INSTRUCTION BOOK (English) (PX110NTC, PX220NTC, PX330NTC)	
	XC7366021	POLYSTYRENE FOAM PAD ASSY, 458 (XL5050, 5050NTC AV, 5060, 5060NTC AV, 5070, 5070NTC AV, 5500, 5600, 5700, ML55, 65, 75, RS20, 30, PS21, PRESTIGE50, 100, 200, 300) XR14, 17, 21)			XD1162021	INSTRUCTION BOOK (Russian) (XL5050, XL5060, XL5070: U.K., RUS, SIN), (XL5050NTC), (XL5060NTC), (XL5070NTC), (ML55), (ML65), (ML75), (PRESTIGE50) (XR14, 17, 21)	050282
	XC9871121	POLYSTYRENE FOAM PAD ASSY, 454 (XL5500, XL5600, XL5700, XL5***HC)	060055		XC6758021	INSTRUCTION BOOK (French) (XL5050, XL5060, XL5070: FRA, SWI)	
	X61570121	467 CASE POLY-STYRENE ASSY (PX100HC, PX200HC, PX300HC, PX200, PX300: IRAQ), (XL5020, PX100, PX200: KOREA)	060055		XC6885021	INSTRUCTION BOOK (French) (XL5500, XL5600, XL5700: CAN, FRA, SWI, GUF)	1000003701
	X60853120	OVER CASE POLYSTYRENE (PX**, XL5***HC)	060055		XC6884021	INSTRUCTION BOOK (German) (XL5500, XL5500SE, XL5600, XL5700: GER, SWI)	1000003701
	X60439121	BAG 630X630T	1000013192		XC6886021	INSTRUCTION BOOK (Dutch) (XL5500, XL5600, XL5700: FRA)	
	X57847021	PLUG LABEL			XC7137021	INSTRUCTION BOOK (Dutch) (XL5050, XL5060, XL5070: FRA)	
	X57325021	LABEL			XC7144021	INSTRUCTION BOOK (Italian) (XL5050, XL5060, XL5070: ITA, SWI)	
	X60352020	ACCESSORY TABLE PRESSER D (except PRESTIGE100, 200, 300)			XC7439021	INSTRUCTION BOOK (German) (XL5050, XL5060, XL5070: GER, SWI)	
	X60726020	FOOT CONTROLLER BOX (except PRESTIGE100, 200, 300)			XC7363121	INSTRUCTION BOOK (English) (XL5500, XL5600, XL5700: U.S.A., CAN, U.K., AUS, Latin America (2&5)) (XL5500NTC AV, 5600NTC AV, 5700NTC AV) (XL5500SE, 5700SE: U.K., PS21)	1000002251
	X61181021	STYROFOAM			XC6887021	INSTRUCTION BOOK ITA (Italian) (XL5000, XL5500SE: ITA, XL5700: SWI)	1000003701
	LA6041001	SECURITY TAG (except XL5500)	1000013831		XC6752021	INSTRUCTION BOOK (XL5050*, XL5060*, XL5070*: U.K., SIN, NEU)	
	XC7193021	STICKER			XE4543001	INSTRUCTION BOOK BR (PS21: BRA)	1000007560
	XC7680021	STICKER (XL5500: CANADA)			XE5007001	INSTRUCTION BOOK BG (AUT)	1000008616
PRINTED MATTERS					XD0114021	INSTRUCTION BOOK CHN (XL5500, XL5600, XL5700: CHN)	1000009514
	194447011	INSTRUCTION BOOK (IRE, U.K., SPA, POR, ITA, SWI, SIN)			XC7364021	INSTRUCTION BOOK (Spanish) (XL5500, XL5600, XL5700: OTHER), (PS21), (XL5***HC)	
	194447012	INSTRUCTION BOOK (GER, BEL, FRA, HOL, SWI)			XC8509121	INSTRUCTION BOOK (RS15, 20, 25, 30, 35), (PRESTIGE100, 200, 300)	
	194447013	INSTRUCTION BOOK (PX*: FIN, DEN, SWE)			XD0854121	INSTRUCTION BOOK HAN (XL5500, XL5600, XL5700: KOREA)	050311
	194447014	INSTRUCTION BOOK (AUSTRIA, RUSSIA), (XL5012: SIN)					
	194457012	INSTRUCTION BOOK (PX*: GER, BEL, FRA, HOL, SWI)					
	194457013	INSTRUCTION BOOK (PX*: FIN, DEN, SWE)					
	194457014	INSTRUCTION BOOK (PX*: AUSTRIA)					
	194457015	INSTRUCTION BOOK (PX*: ITA, SWI, CHINA)					
	194457017	INSTRUCTION BOOK (XL5130, XL5232, XL5340)					
	194457111	INSTRUCTION BOOK (XL5300, PX Other)					
	XC1672001	INSTRUCTION BOOK (PX200, 300: IRAQ)					
	XC5306021	INSTRUCTION BOOK (PX330NTC)					

# (10) ATTACHMENTS / PACKING MATERIALS / PRINTED MATTERS



## (10) ATTACHMENTS / PACKING MATERIALS / PRINTED MATTERS

No.	CODE.	NAME	REMARKS	No.	CODE.	NAME	REMARKS
	130800021	BAG, 230X310H	1000011228		XA7651021	MANUAL (XL5130, XL5232, XL5500, XL5600: CANADA)	
	<del>LA1661001</del>	WARRANTY CARD EURO-CH	1000017862		XA7876021	MANUAL (XL5130, XL5232, XL5500, XL5600: CANADA)	
	<del>XC6402021</del>	WARRANTY CARD (U.K.)	1000017862		XA9089021	MANUAL (XL5340, XL5700: USA, CAN, CHL, ARG, PRY, PS21)	
	XC0380021	WARRANTY CARD (XL5130), (XL5232), (XL5340), (XL5500, 5600, XL5700: U.S.A., GUF; 230V, Latin America (2&5))			XC6860021	MANUAL (XL5050*), (XL5060*), (XL5070*), (XL5500: GER, FRA, MYS, AUS), (XL5***SE), (XL5600: Except for U.S.A. CANADA), (XL5700: GER, U.K, FRA, SWI, MYS, AUS), (XL5***NTC AV), (RS15, 20, 25, 30, 35), (XL5***HC), (PRESTIGE50, 100, 200, 300) (XR14, 17, 21)	1000003701
	XC0435021	WARRANTY CARD (PX100, PX200, PX300: U.S.A.)			XC0021021	OPERATION MANUAL (FINLAND)	
	XC1153021	WARRANTY CARD (PX100, PX200, PX300: ARG)			XC4028121	QUICK START GUIDE (XL5011AV, XL5011NTC, XL5012NTP, XL5012NTP AV, XL5020NTC, XL5021NTC, XL5022NTP, XL5022NTP AV, XL5031NTC, XL5032NTP, XL5032NTP AV)	
	XA6351221	WARRANTY CARD (XL5500, XL5500SE: ITA)	1000004829		XC8324021	QUICK START GUIDE (XL5050NTC, XL5060NTC, XL5070NTC, XL5***NTC AV)	
	XD1328221	WARRANTY CARD CHINA (XL5500, XL5600, XL5700: CHINA)	1000012599		XC5407321	QUICK START GUIDE (PX100NTC, PX110NTC, PX200NTC, PX220NTC, PX300NTC, PX330NTC)	
	XC8946021	WARRANTY CARD C (PS21)	1000002336		XE4769001	QUICK REFERENCE GUIDE (AUT) (Cesko)	1000007823
	XE4548001	WARRANTY CARD BR HEM (PS21: BRA)	1000007560		XE4770001	QUICK REFERENCE GUIDE (AUT) (Hungary)	1000007823
	<del>XC9286021</del>	CONTACT SHEET (XL5130, XL5232, XL5340, XL5500, XL5600, XL5700: CANADA)	1000001810		XE4771001	QUICK REFERENCE GUIDE (AUT) (Poland)	1000007823
	<del>XE8671001</del>	WARRANTY CARD BROTHER CANADA (XL5130, XL5232, XL5340, XL5500, XL5600, XL5700: CANADA)	1000018691		XE4610001	QUICK REFERENCE GUIDE (AUT) (Romania)	1000007823
	181401230	INSERTION WARRANTY COUPON (XL5130, XL5232, XL5340, XL5500, XL5600, XL5700: CANADA)	040204		XE5014001	QUICK REFERENCE GUIDE BG (AUT)	1000008616
	<del>XE5572001</del>	WARRANTY CARD BROTHER RUS	1000017862		XC6911021	ACCINFO SHEET (XL5500, XL5600, XL5700: U.S.A.)	
	XE5652001	WARRANTY CARD BROTHER ARG (XL5500, XL5700)	1000011223		XE1158101	BOOKLET	060168
	<del>LW313500</del>	CEE WARRANTY CARD (XL5500, XL5600, XL5700: EEU)	1000016851		XE6308001	INNOV-IS RANGE PROMOTION DVD	1000013646
	<del>XE2895001</del>	OPTIONAL 5YEAR WARRANTY CARD (U.K.)	1000017862		XE6623001	INSERTION (XL5500: CAN)	1000014468
	<del>XE5610101</del>	WARRANTY CARD 2YEARS ITA (ITA)	1000017862				
	<del>XE5609101</del>	WARRANTY CARD 5YEARS ITA (ITA)	1000017862				
	XD0256121	INSERTION WEEE (except PRESTIGE50, 100, 200, 300)	1000002031				
	XA7201021	USER'S MANUAL (XL5130: U.S.A., XL5340, XL5500*, XL5600*, XL5700*, RS15, 20, 25, 30, 35, PS21, PRESTIGE100, 200, 300)					
	XC2067121	USER'S MANUAL (XL5232, XL5340, XL5600: CAN), (XL5700: USA, CAN, CHL, ARG, PRY, PS21)	060039				
	XC1885021	MANUAL (XL5130, XL5500, XL5232, XL5600, XL5340, XL5700: USA, CAN, CHL, ARG, PRY, GUF Latin America (2&5), PS21)					



**brother**®

XL Series/PX Series  
07E04HF885443-448/453-458/463/465/467

12. 2003.  
05. 2010.